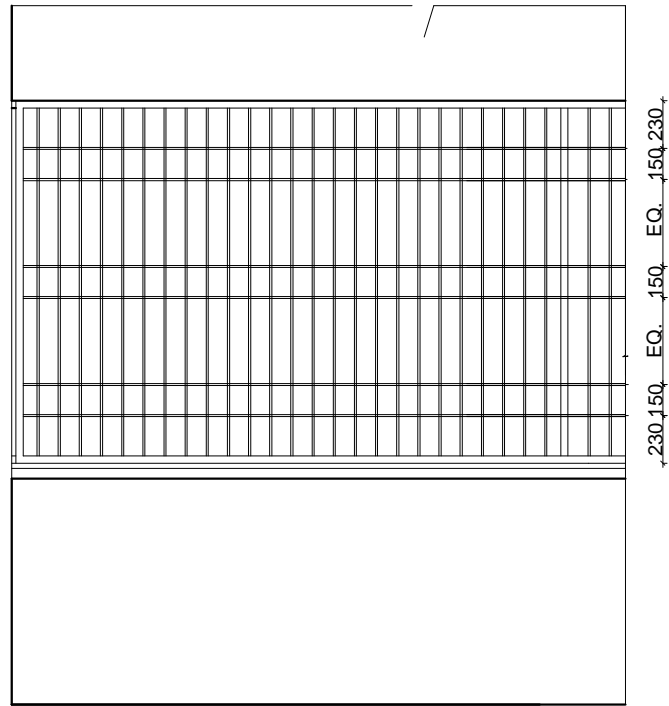


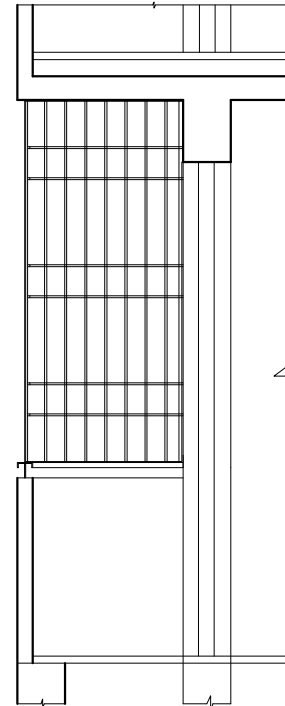
# CHANDIGARH HOUSING BOARD

## NOTES

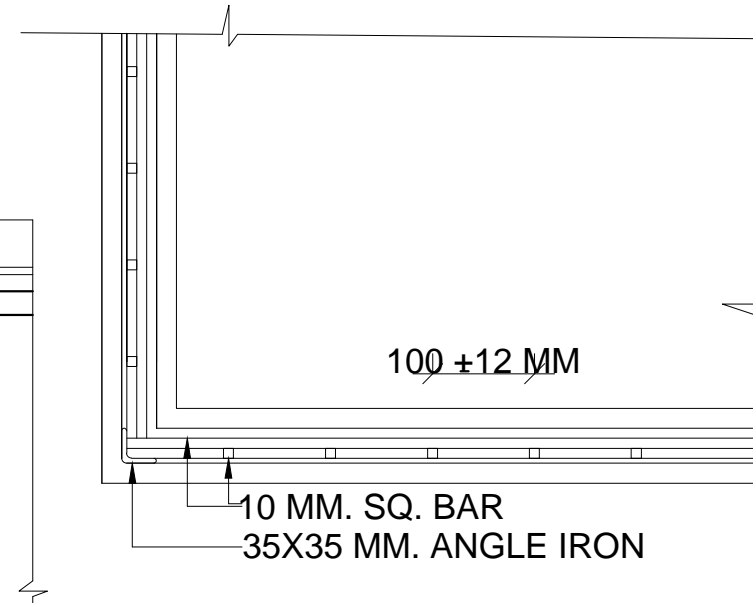
1. THIS DRAWING IS THE PROPERTY OF CHB, CHD, AND MUST NOT BE COPIED, ALTERED OR TRACED IN WHOLE OR IN PART WITHOUT THE PERMISSION OF THE BOARD IN WRITING.
2. DISCREPANCY IF ANY MAY BE DISCUSSED WITH THE ARCHITECT IMMEDIATELY.
3. DIMENSIONS ARE IN M.M ONLY.
4. ALL THE DIMENSIONS ARE TO BE READ & NOT MEASURED.
5. BEFORE THE EXECUTION OF THIS DRG./DESIGN ALL THE DIM. SHALL BE CHECKED, VERIFIED IN ACCORDANCE WITH ACTUAL DIM. AT SITE.
6. ALL THE RELEVANT NORMS & CODES RELATED TO EARTHQUAKE, LIVE & DEAD LOADS, FIRE FIGHTING ETC. SHALL BE CONSIDERED AT THE TIME OF STRUCTURAL DESIGN.
7. STRUCTURAL STABILITY SHALL BE THE RESPONSIBILITY OF THE EXECUTIVE AGENCY / STRUCTURAL CONSULTANTS.



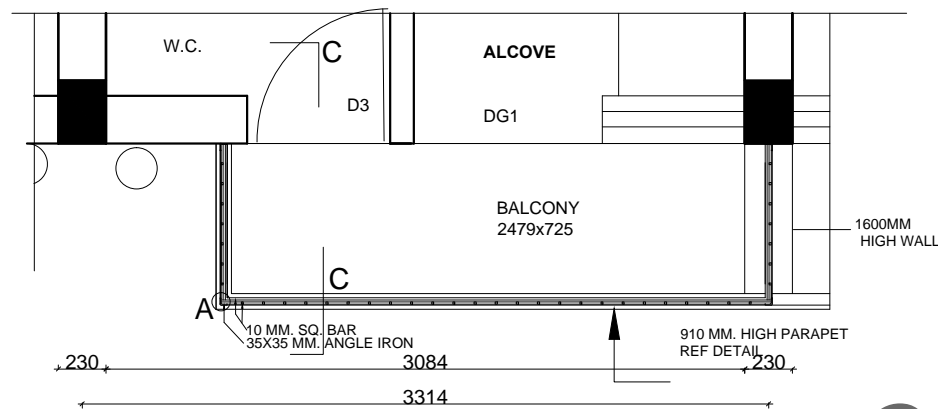
ELEVATION



SECTION AT C-C



DETAIL AT A



PLAN

**NOTE:**  
THE CENTER TO CENTER DIMENSION BETWEEN BAR OF GRILL CAN BE REDUCED BY THE ALLESTIES AS PER INDIVIDUAL SUITABILITY.

Copyright CHB

ARCHITECT	ASSTT. ARCHITECT	
STANDARD DETAIL OF GRILL FOR BALCONIES/VERANDAH		
SCALE 1:50	DATE	
PLANNING ASSTT	JOB NO	DRG NO
SHASHI SANGAR DRAWN		