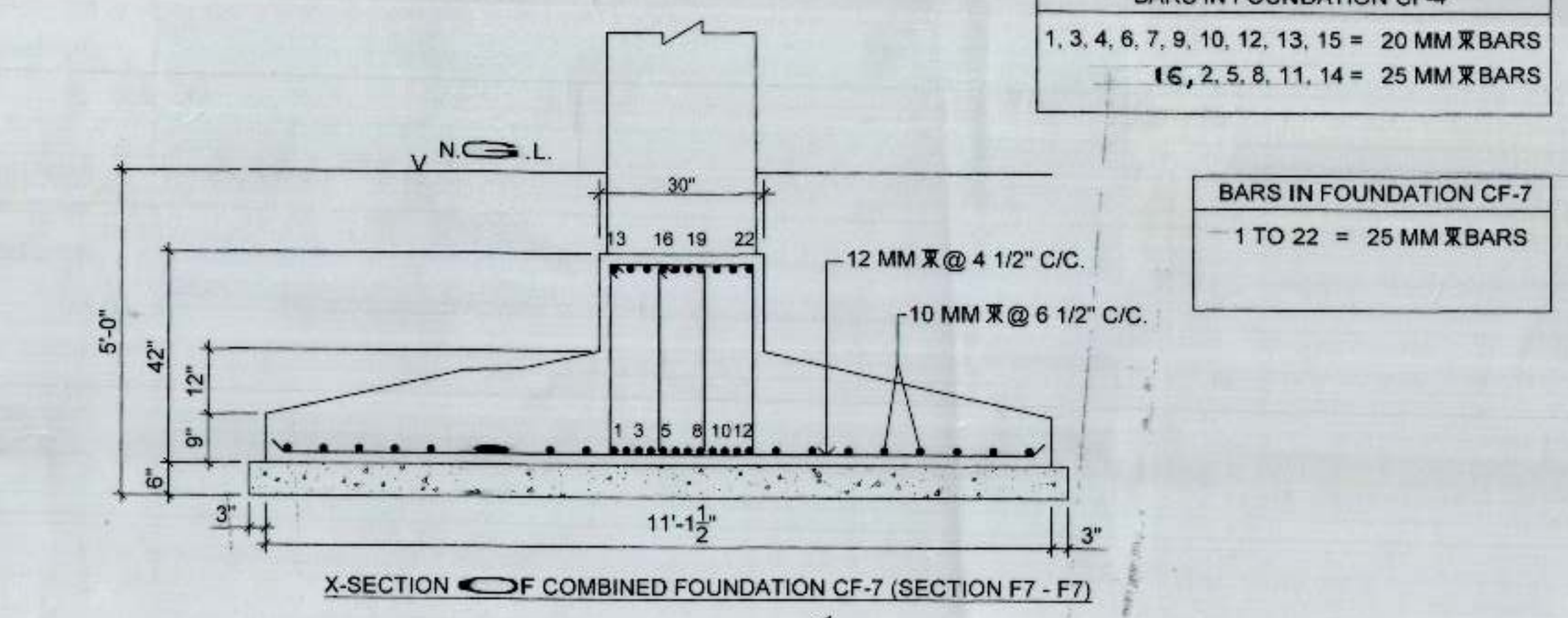
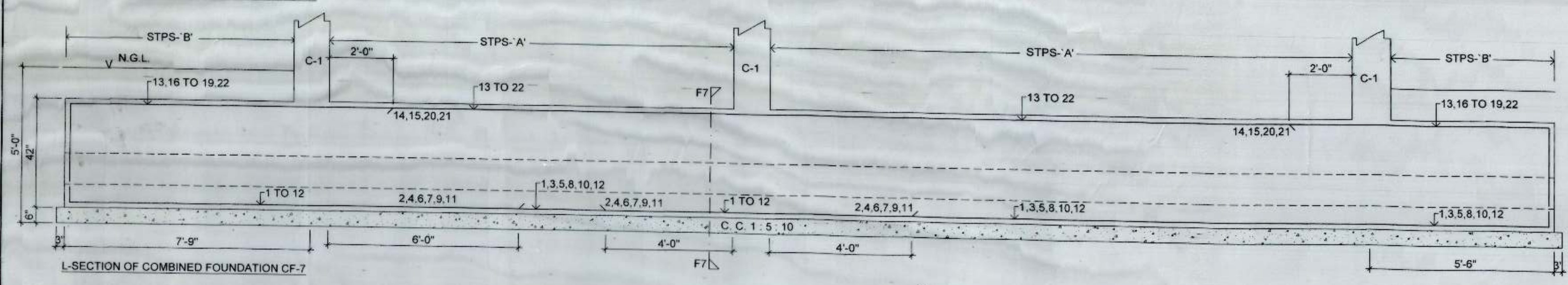
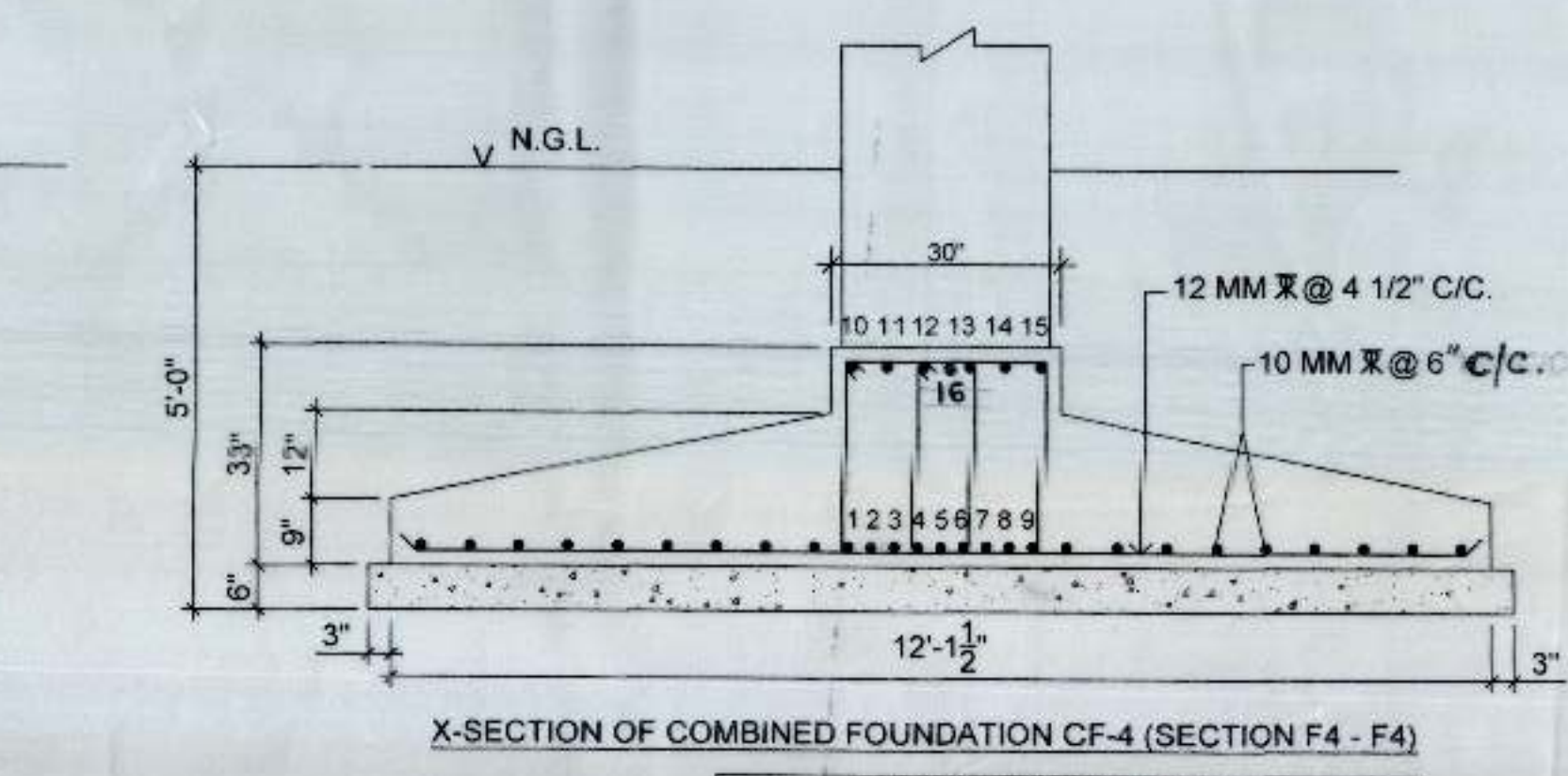
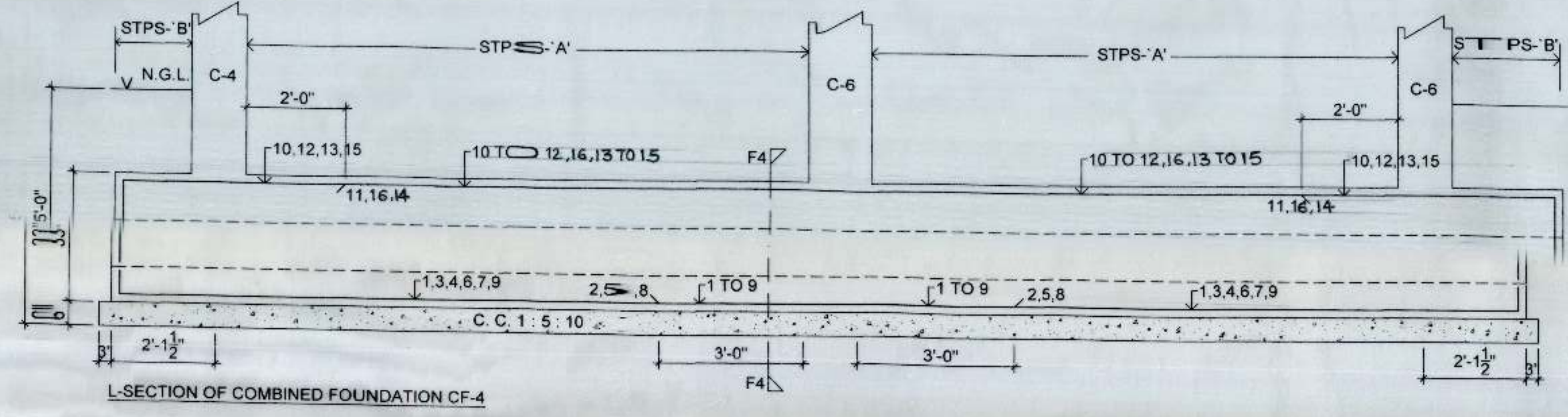
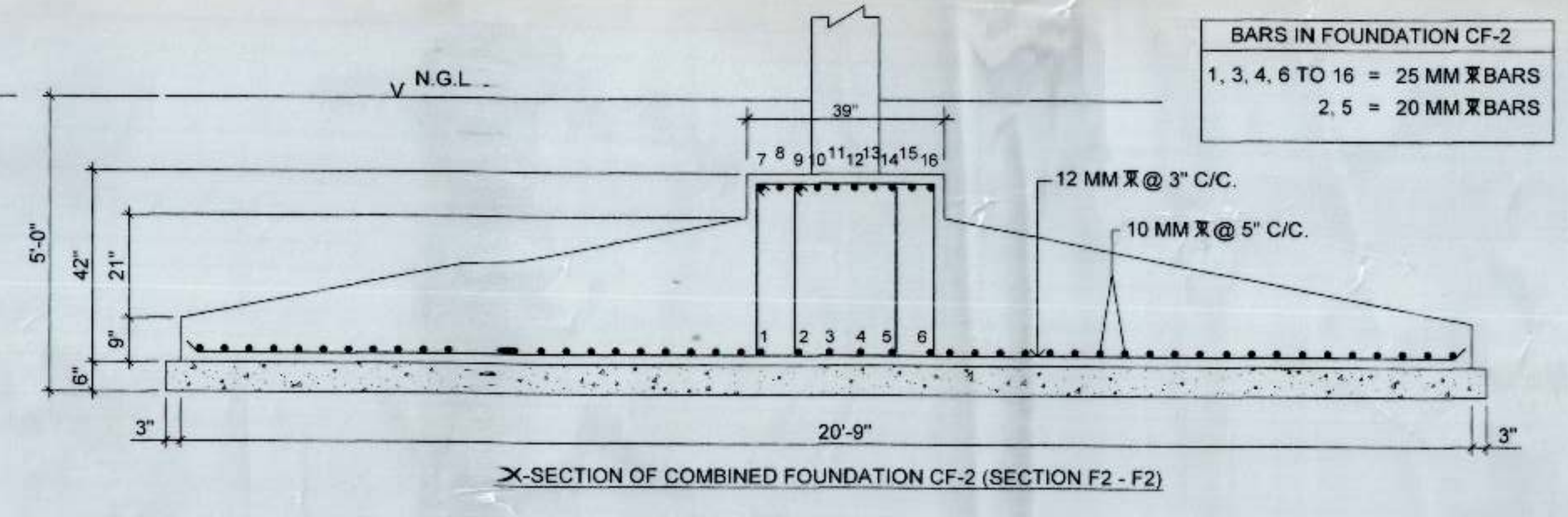
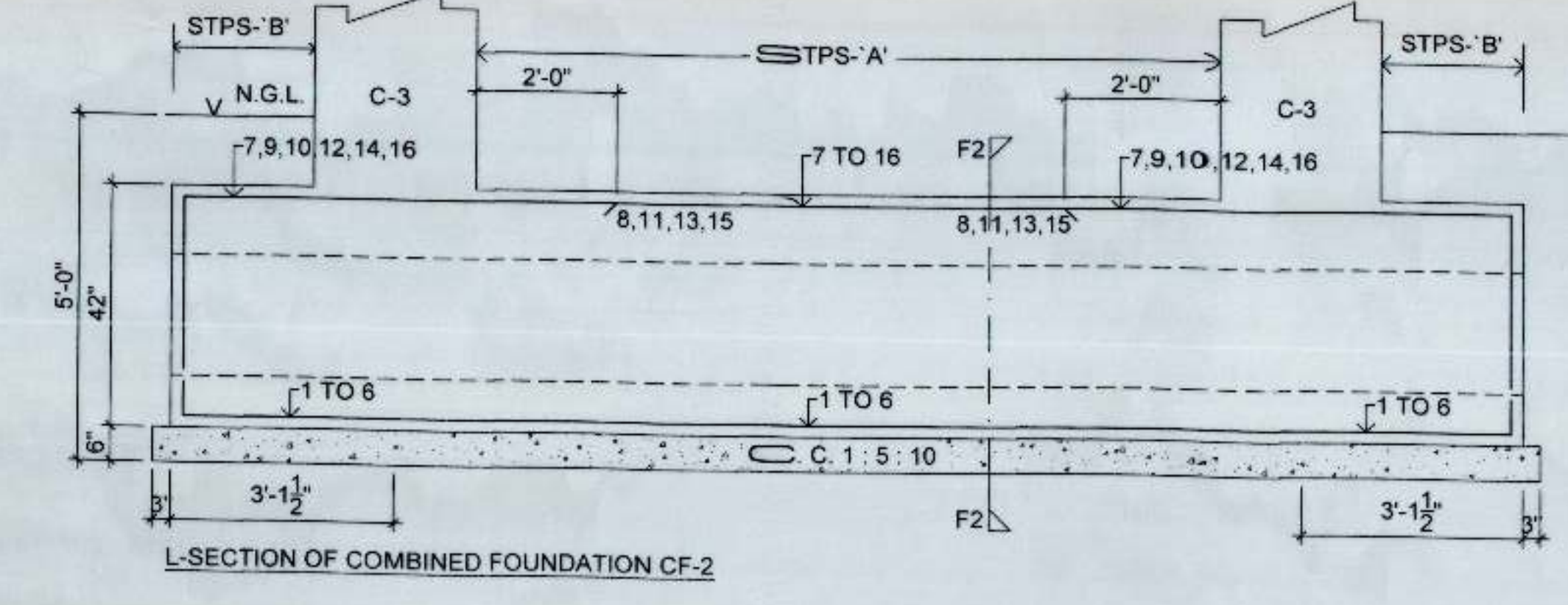
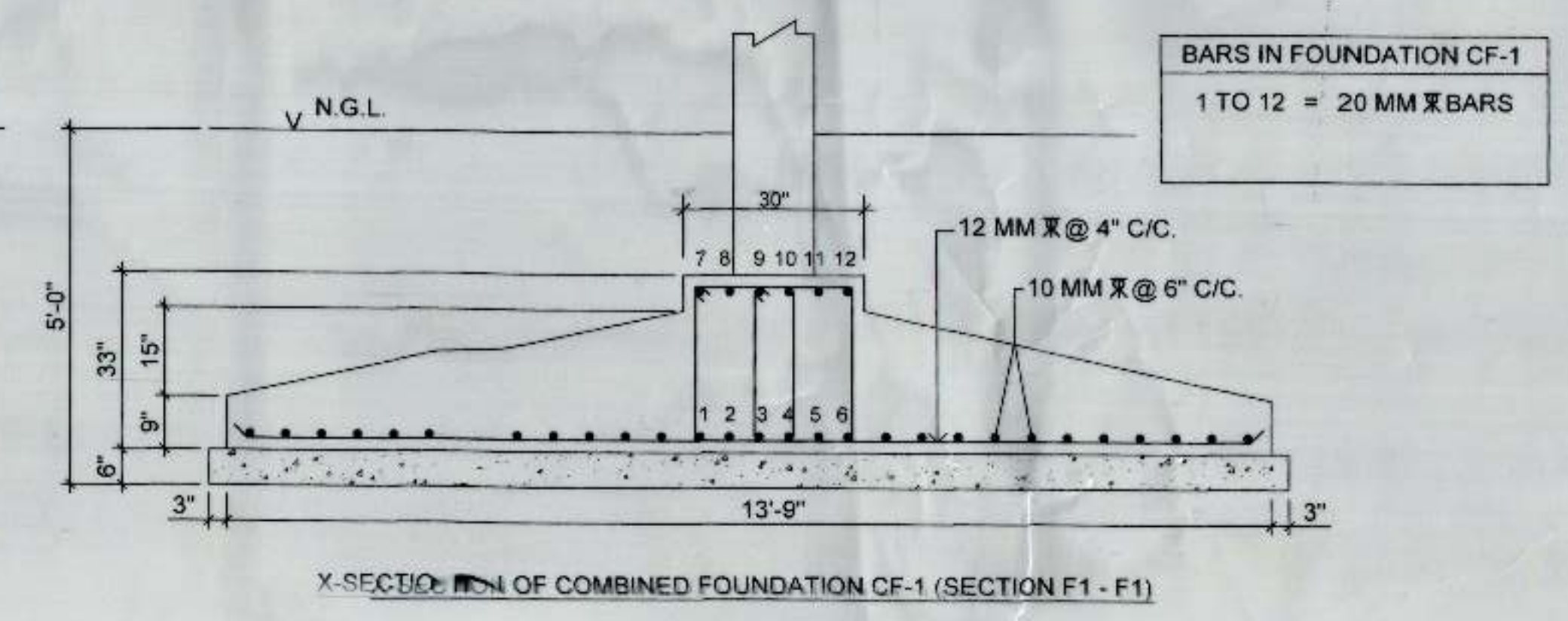
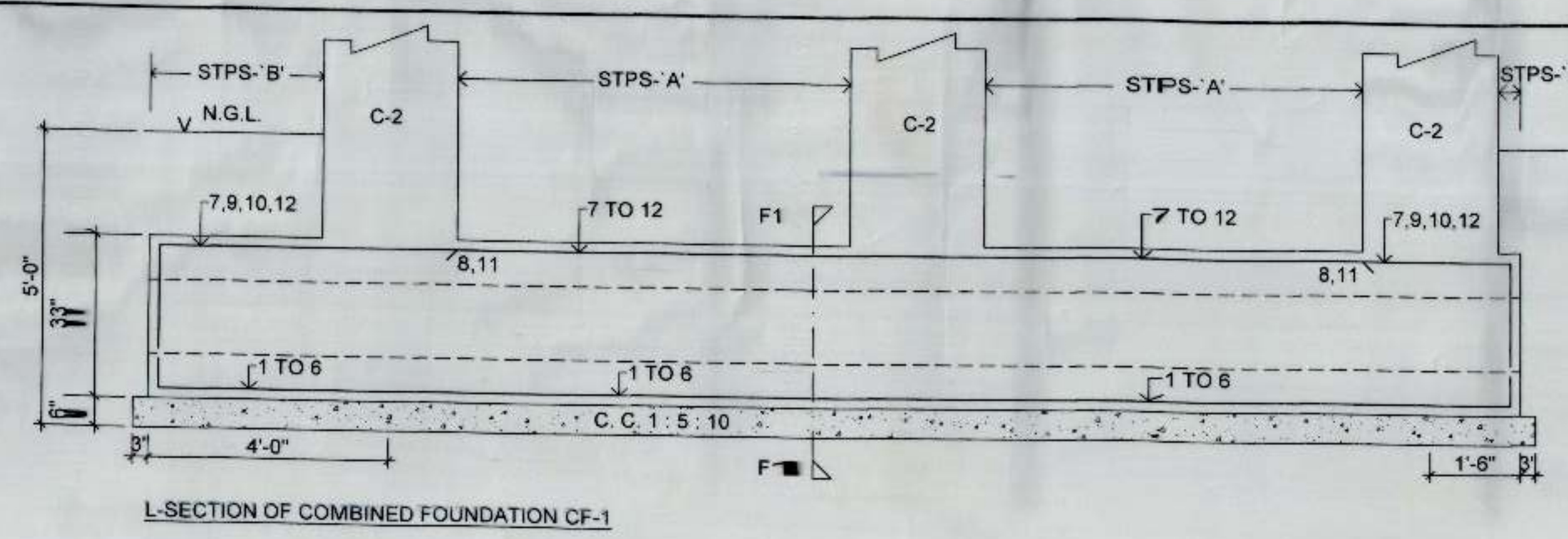
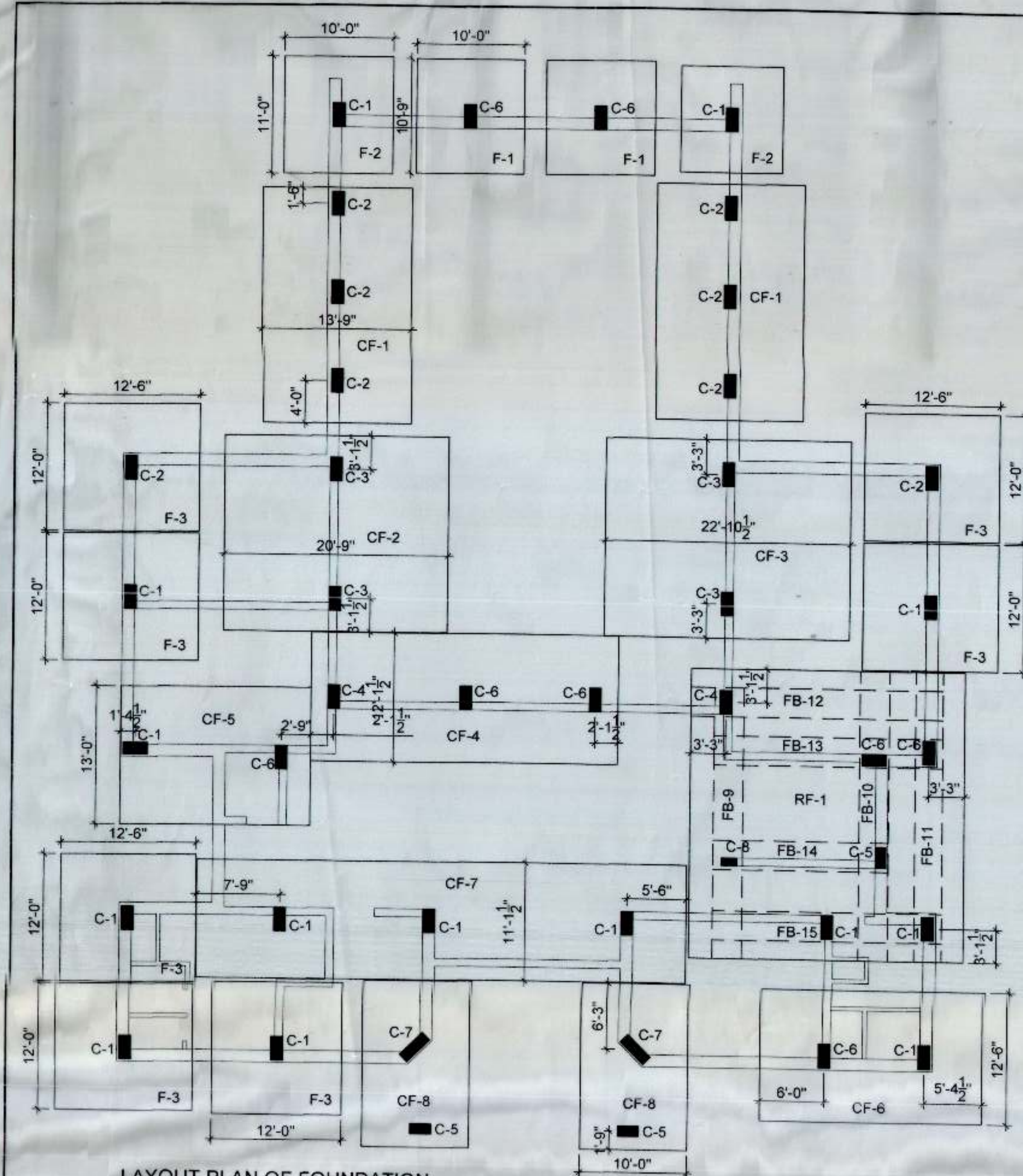


PROJECT:  
**COMMUNITY CENTRE  
 AT SECTOR 27 MALOYA  
 CHANDIGARH**

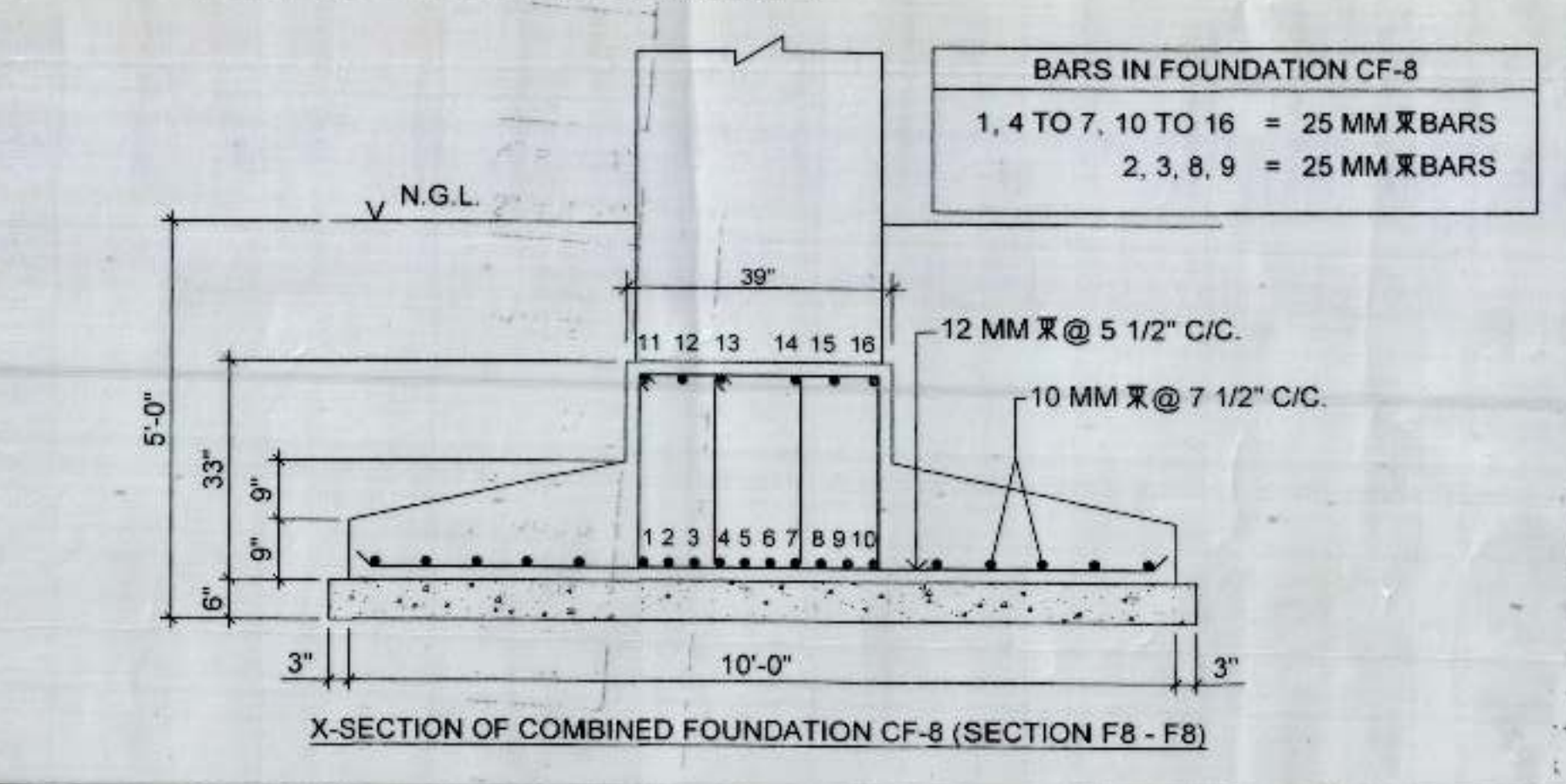
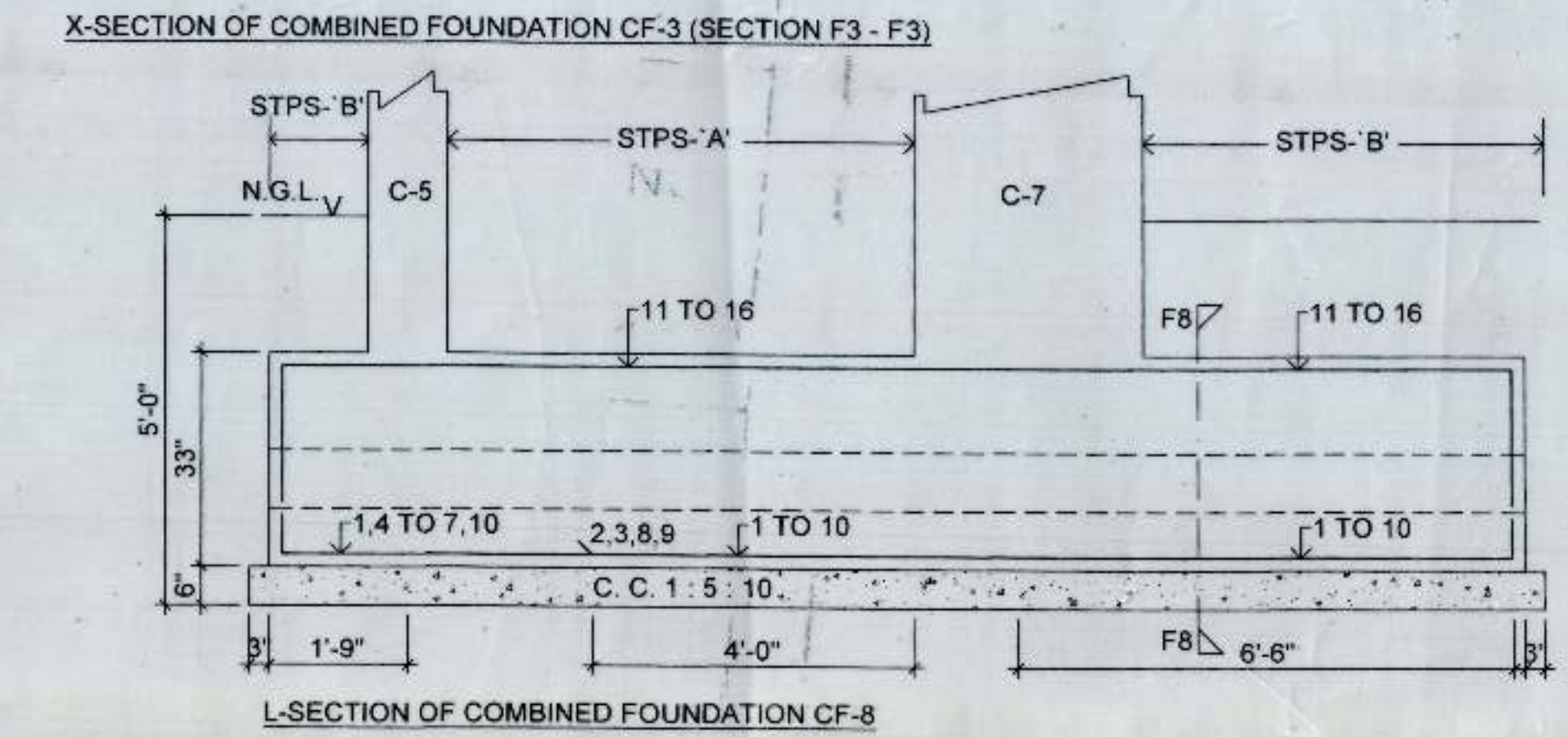
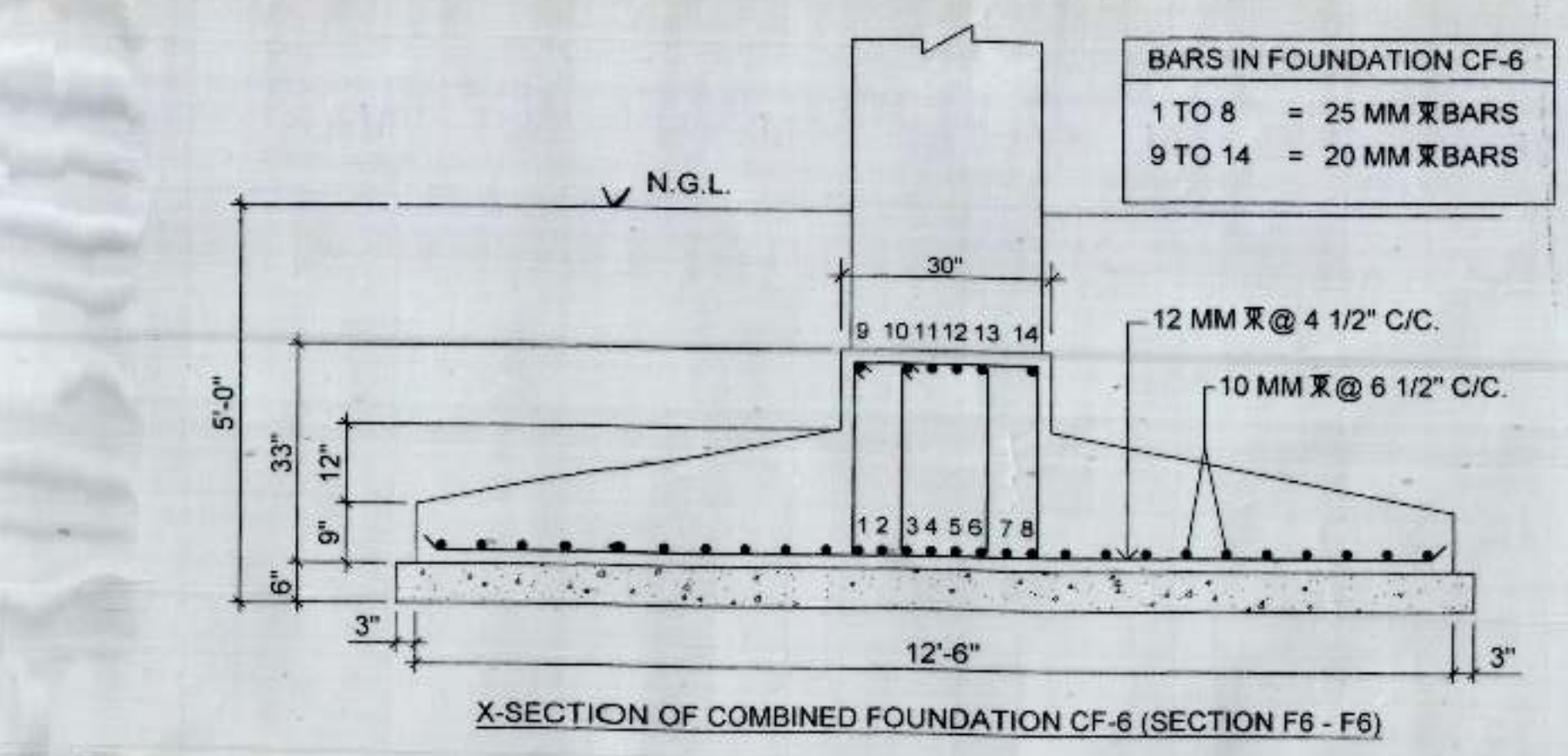
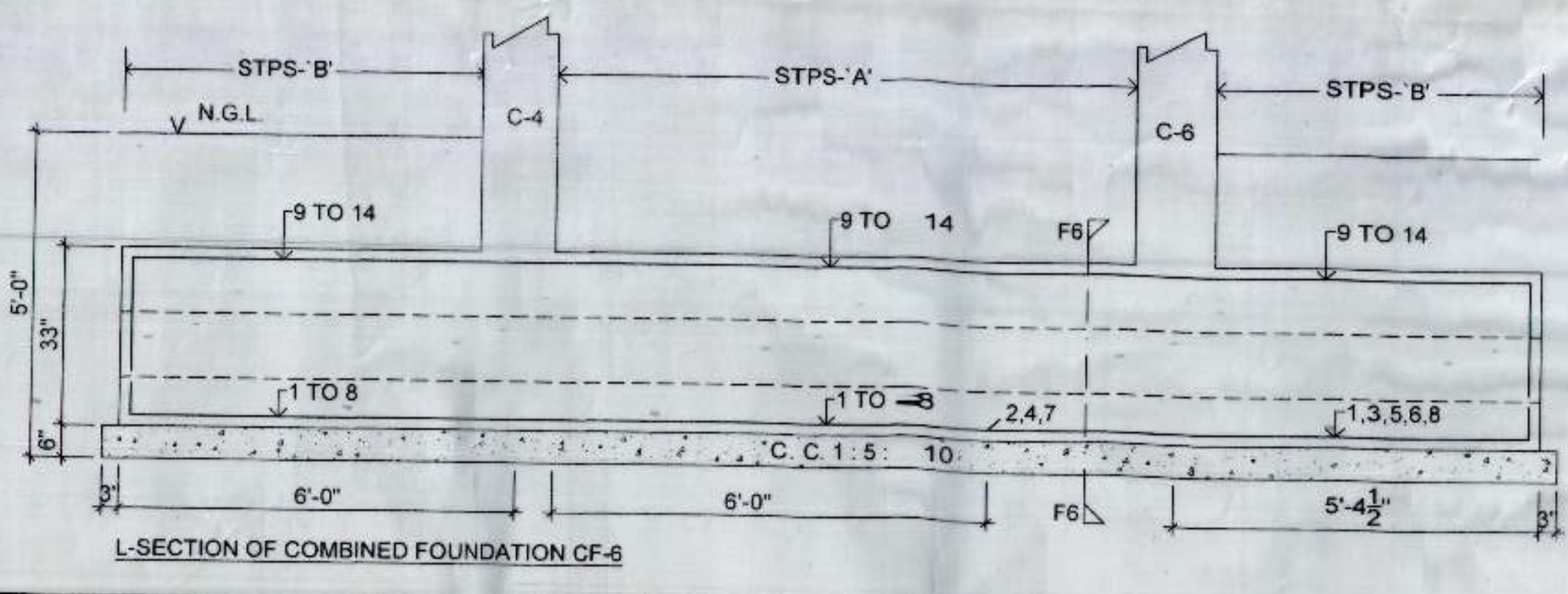
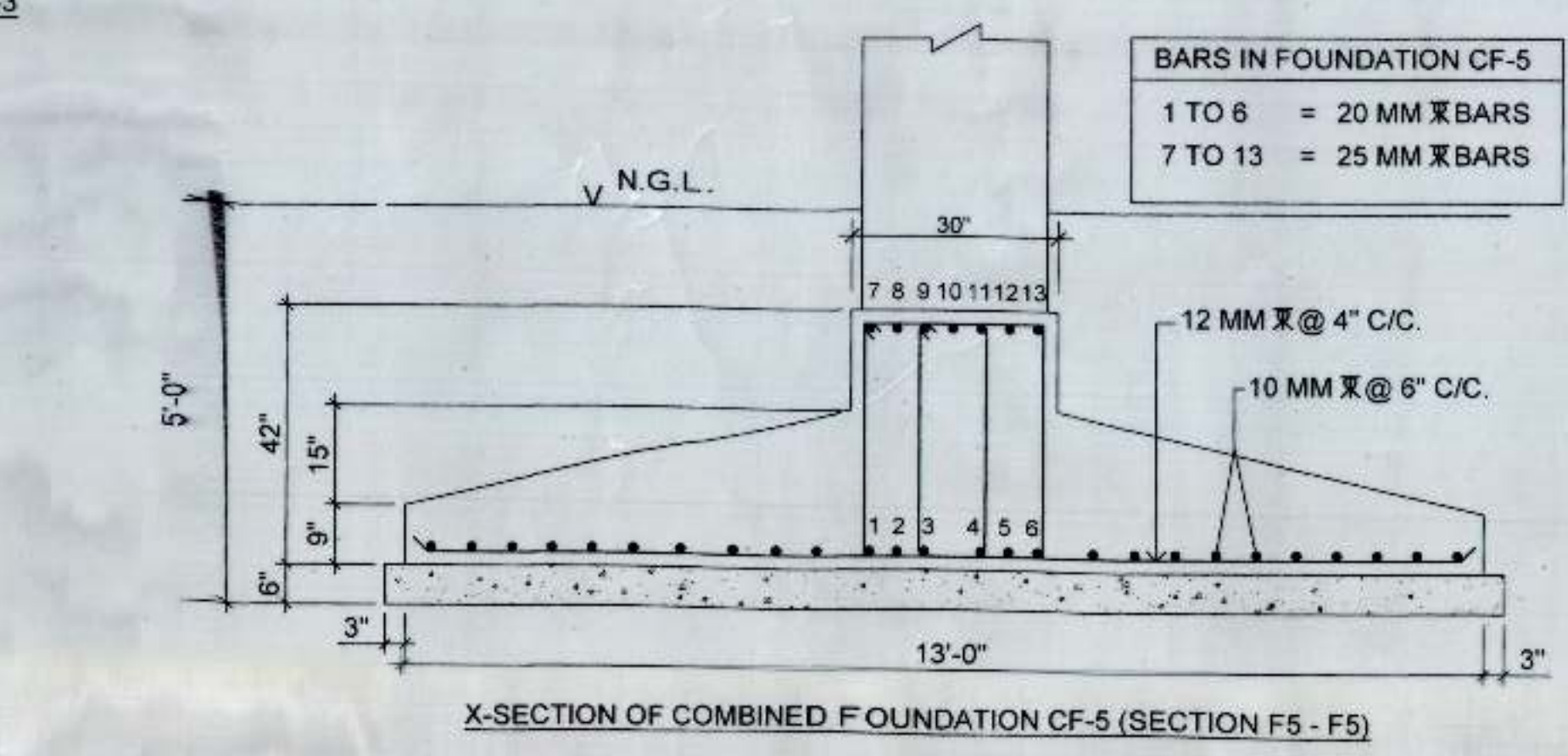
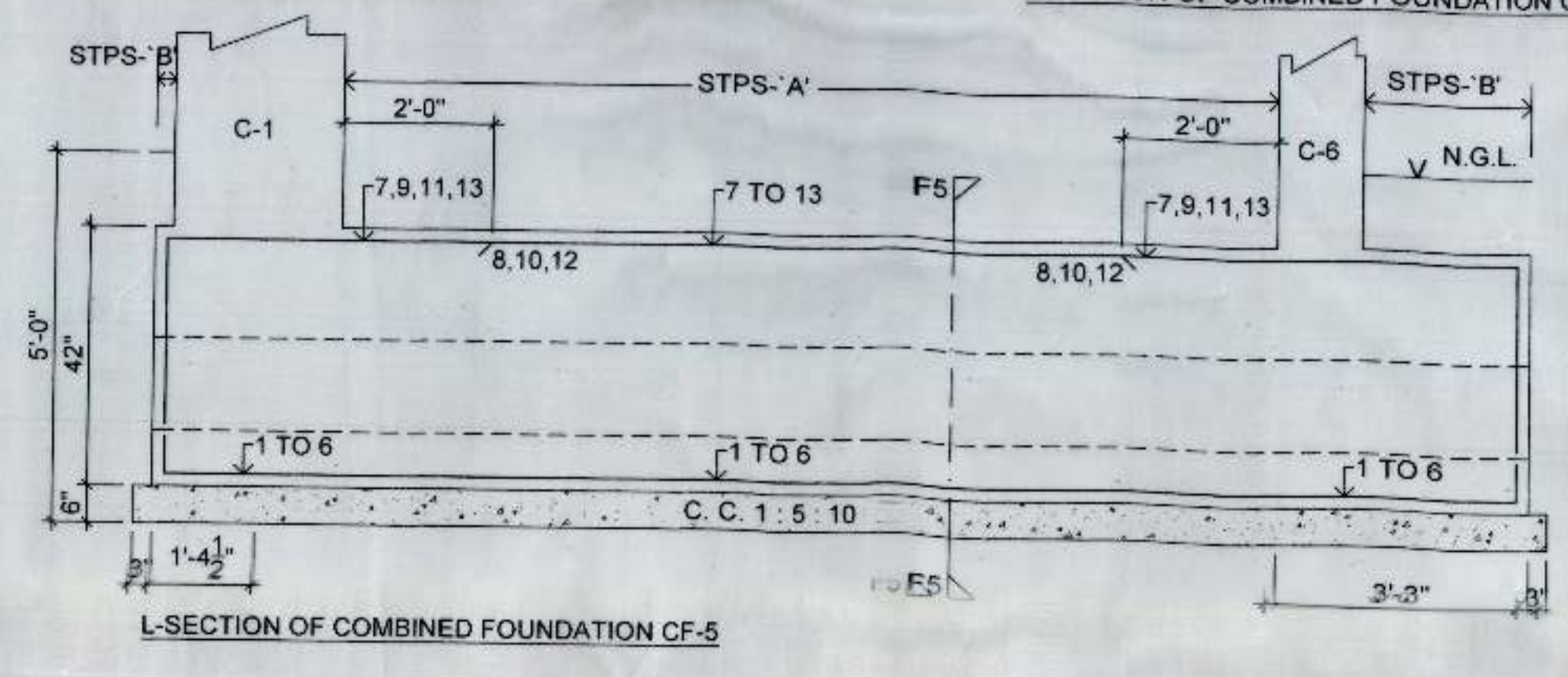
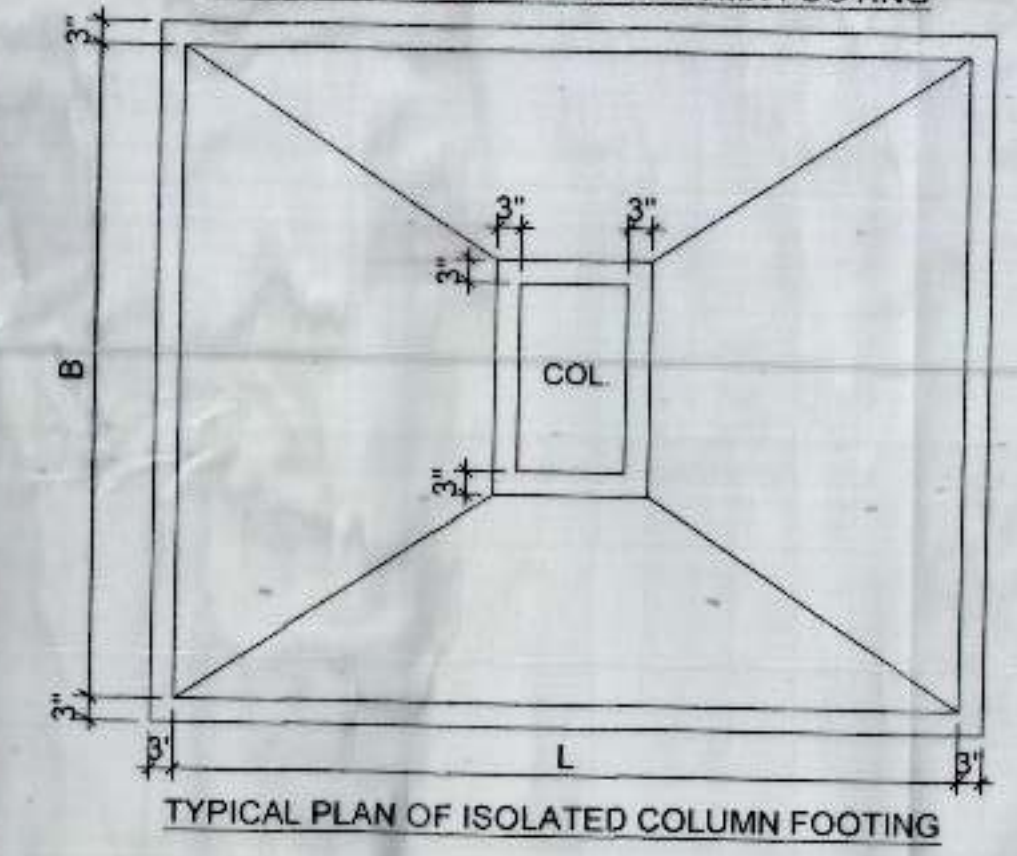
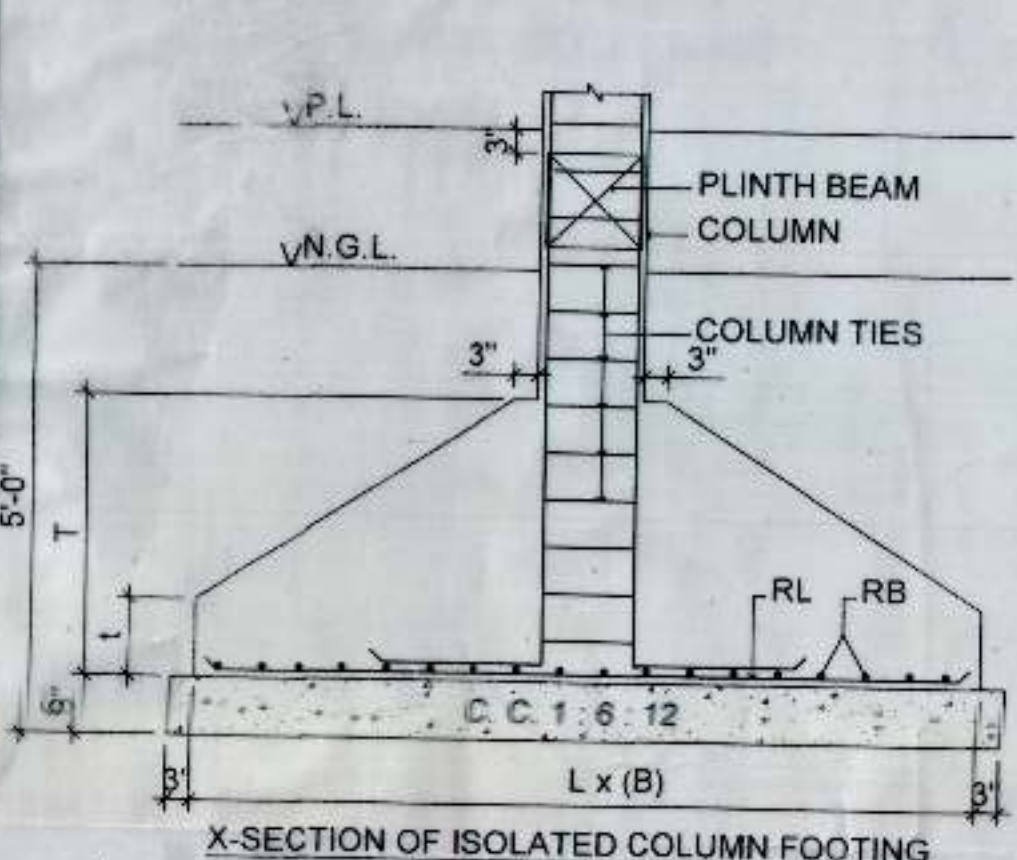
- GROSS SAFE BEARING CAPACITY OF SOIL HAS BEEN TAKEN AS 7.8 T/SQM. AS PER REPORT SUPPLIED.
- ALL RCC WORKS SHALL BE CONCRETE DESIGN MIX M25 CONFORMING TO IS : 456-2000.
- REINFORCEMENT BARS TO BE USED SHALL BE TMT BARS (THERMO MECHANICALLY TREATED BARS) OF GRADE Fe500 CONFORMING TO IS. 1786-2008.
- LAP LENGTH, DEVELOPMENT LENGTH  $L_d$  FOR ALL STRAIGHT REINFORCEMENT BARS SHALL BE AS UNDER:  
 i)  $M25 = 49d$   
 WHERE  $d$  IS THE DIA OF BAR.
- MINIMUM NOMINAL COVER TO ALL REINFORCEMENT AS PER IS : 456-2000 INCLUDING LINKS SHALL BE AS BELOW  
 a) FOUNDATION = 60 MM    b) COLUMNS = 40 MM  
 c) BEAMS = 30 MM    d) SLABS = 20 MM
- REINFORCEMENT OF COLUMN TO BE TERMINATED SHALL BE TAKEN INTO THEIR RESPECTIVE BEAMS AT TERMINATION LEVEL UP TO DEVELOPMENT LENGTH ( $L_d$ ).
- NOT MORE THAN HALF OF THE TOTAL NOS. OF BARS SHALL BE OVERLAPPED AT ANY SECTION. OVERLAPPING SHALL BE STAGGERED & AVOIDED AT THE POINT OF THE MAXIMUM BENDING MOMENT.
- IN CASE OF ANY DISCREPANCY BETWEEN STRUCTURAL DRAWINGS AND ARCH / PH / E&M DRGS OR BETWEEN STRUCTURAL DRGS. UNDERSIGNED SHALL BE IMMEDIATELY INFORMED PRIOR TO TAKING FURTHER ACTION.



**STIRRUPS**  
 STPA 'A' = 10 MM X 4 LEGGED @ 6" C/C + REST @ 12" C/C FROM SUPPORTS.  
 STPA 'B' = 10 MM X 4 LEGGED @ 6" C/C.

**DETAIL OF FOUNDATION**

FOOTING NO.	L	B	T	REINFORCEMENT
F-1	10'-0"	10'-0"	2'-0"	12 MM X 4 @ 12" C/C BOTHWAYS
F-2	10'-0"	11'-0"	2'-0"	12 MM X 4 @ 12" C/C BOTHWAYS
F-3	10'-0"	12'-0"	2'-0"	12 MM X 4 @ 12" C/C BOTHWAYS



CLIENT:  
**CHANDIGARH HOUSING BOARD**  
 8, JAN MARG, SECTOR 9-D, CHANDIGARH

**DETAIL OF FOUNDATION**

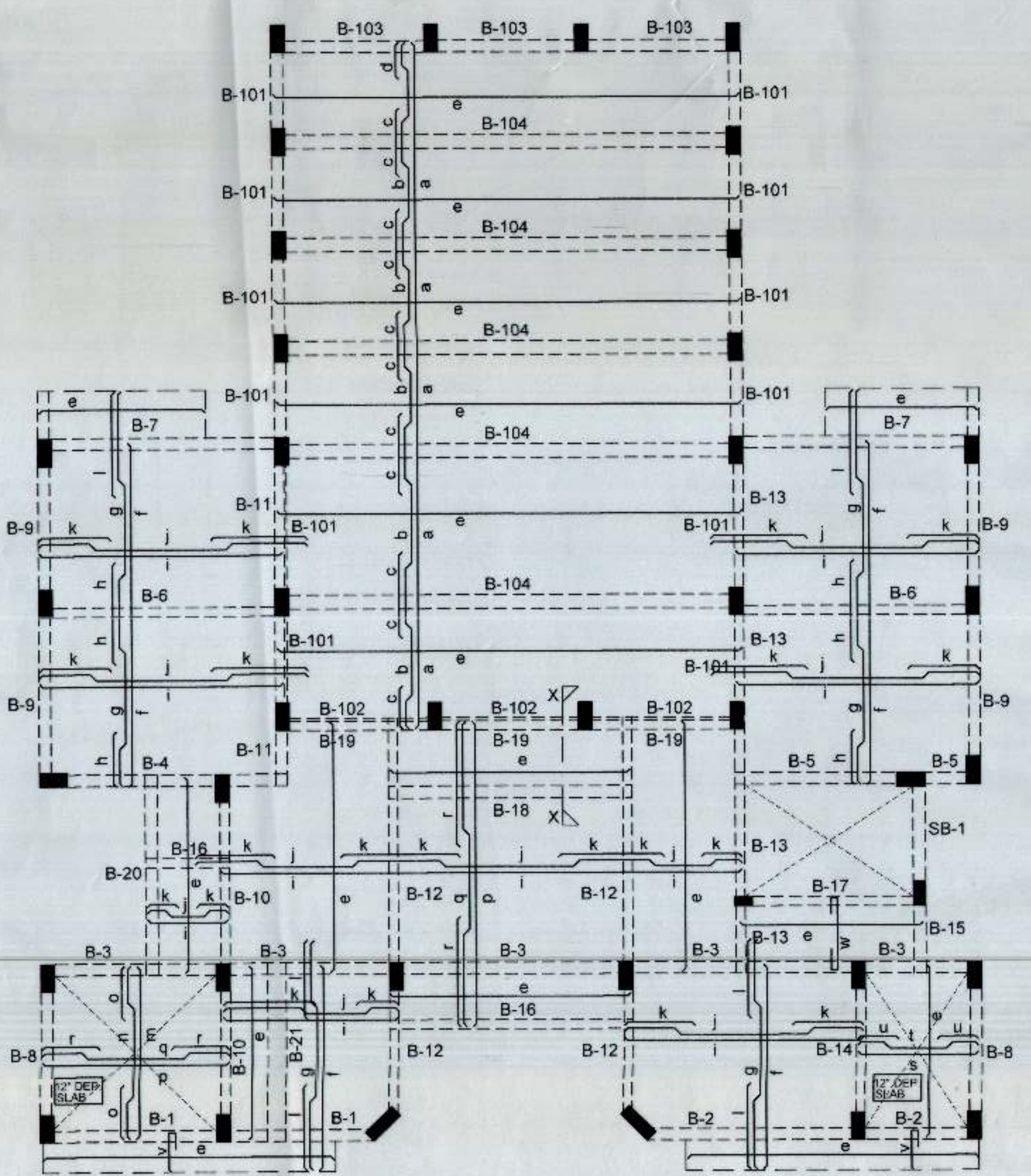
DEALT BY	CHECKED BY
DATED	SCALED
DRG NO.	JOB NO.

**Jaitley Consultants**  
 #156, Sector-21, Panchkula  
 Mobile No. : +91-75084 88888  
 e-mail : jaitleyconsultants@gmail.com  
 skjaitley@jaitleyconsultants.com  
 webpage : www.jaitleyconsultants.com





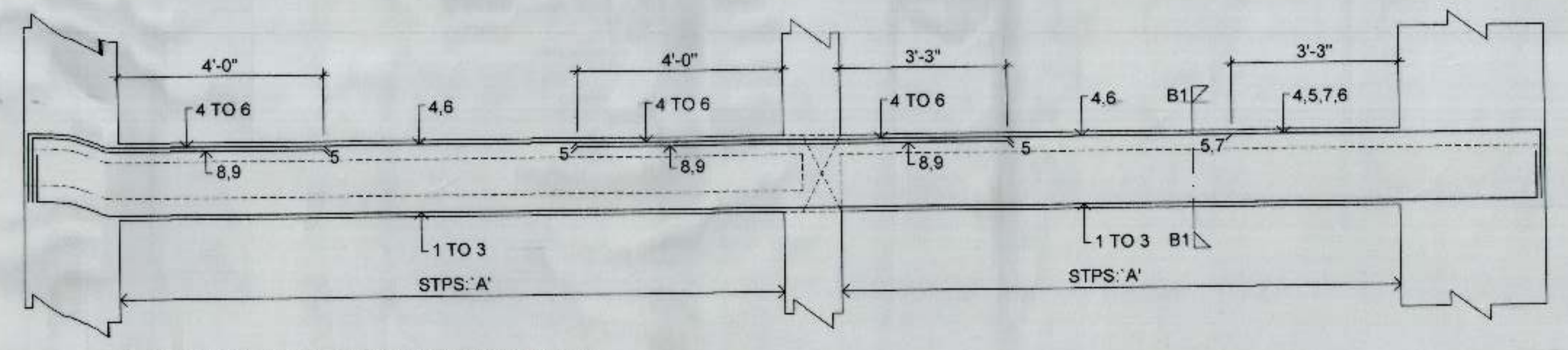
PROJECT:  
**COMMUNITY CENTRE  
 AT SECTOR 27 MALOYA  
 CHANDIGARH**



LAYOUT PLAN OF SLAB & BEAMS AT GROUND FLOOR ROOF LEVEL  
 NOTE: SLAB 5 1/2" THICK THROUGHOUT, UNLESS, OTHERWISE, SPECIFIED.

**BARS IN SLAB**

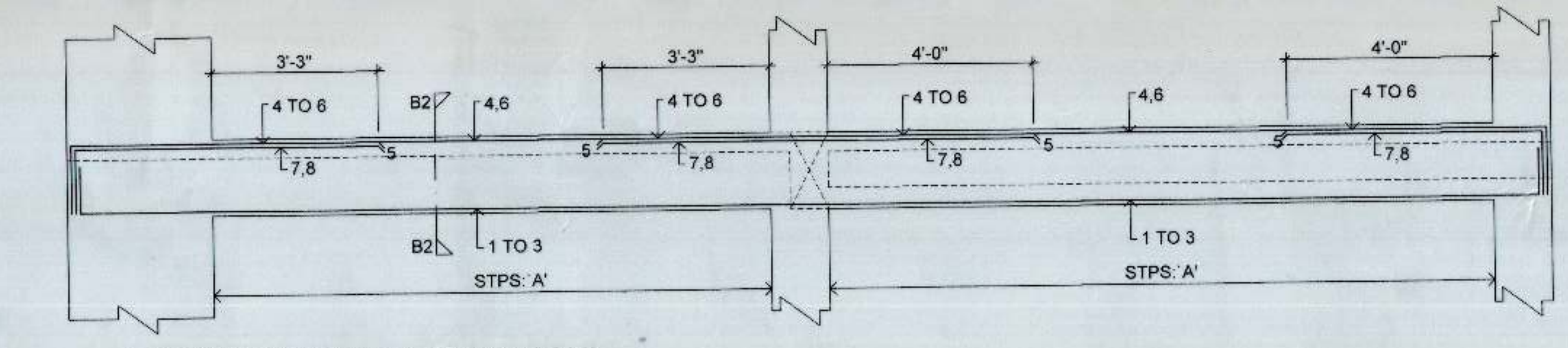
a, b	= 10 MM $\times$ @ 12" C/C
c, d	= 10 MM $\times$ @ 12" C/C
e	= 8 MM $\times$ @ 8" C/C
f	= 8 MM $\times$ @ 15" C/C
g, h	= 10 MM $\times$ @ 15" C/C
i, k	= 8 MM $\times$ @ 16" C/C
j	= 10 MM $\times$ @ 16" C/C
l	= 12 MM $\times$ @ 15" C/C
m, n, o	= 10 MM $\times$ @ 10" C/C
p, q, r	= 10 MM $\times$ @ 14" C/C
s, t, u	= 10 MM $\times$ @ 12" C/C
v	= 10 MM $\times$ @ 5" C/C
w	= 8 MM $\times$ @ 6" C/C



SECTION B1 - B1

**BARS IN BEAM B-1**

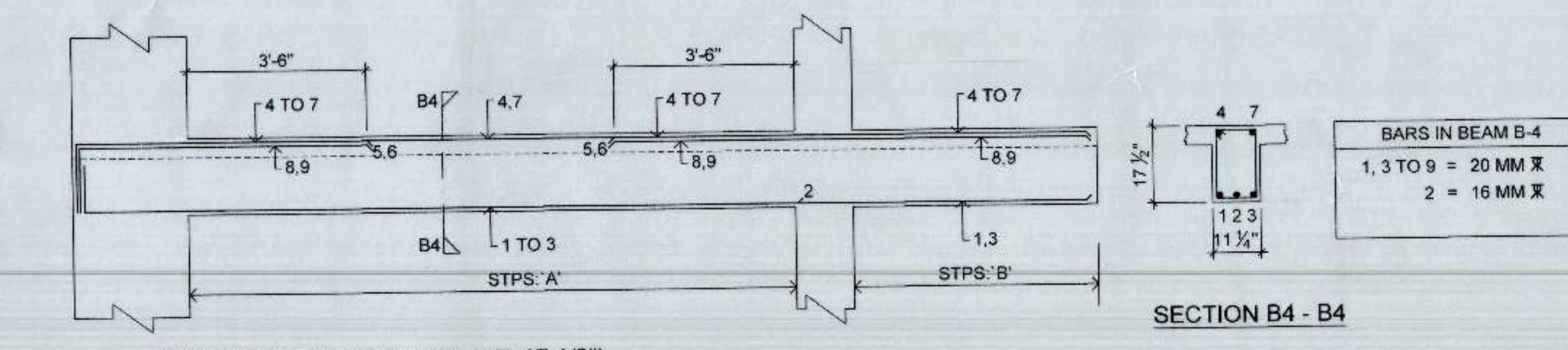
1, 3	= 16 MM $\times$
2, 4 TO 6	= 20 MM $\times$



SECTION B2 - B2

**BARS IN BEAM B-2**

1 TO 6	= 20 MM $\times$
--------	------------------



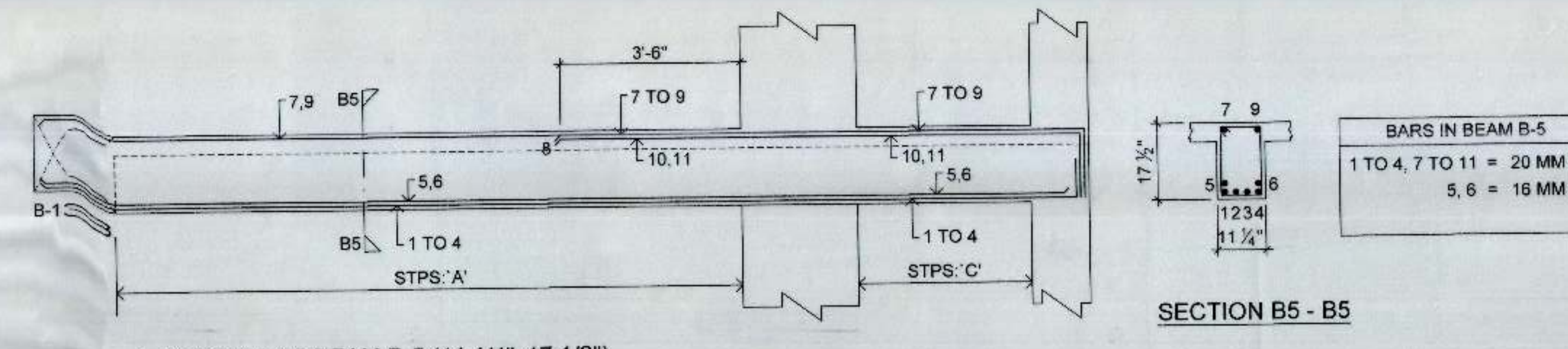
SECTION B4 - B4

**BARS IN BEAM B-4**

1, 3 TO 9	= 20 MM $\times$
2	= 16 MM $\times$

**STIRRUPS**

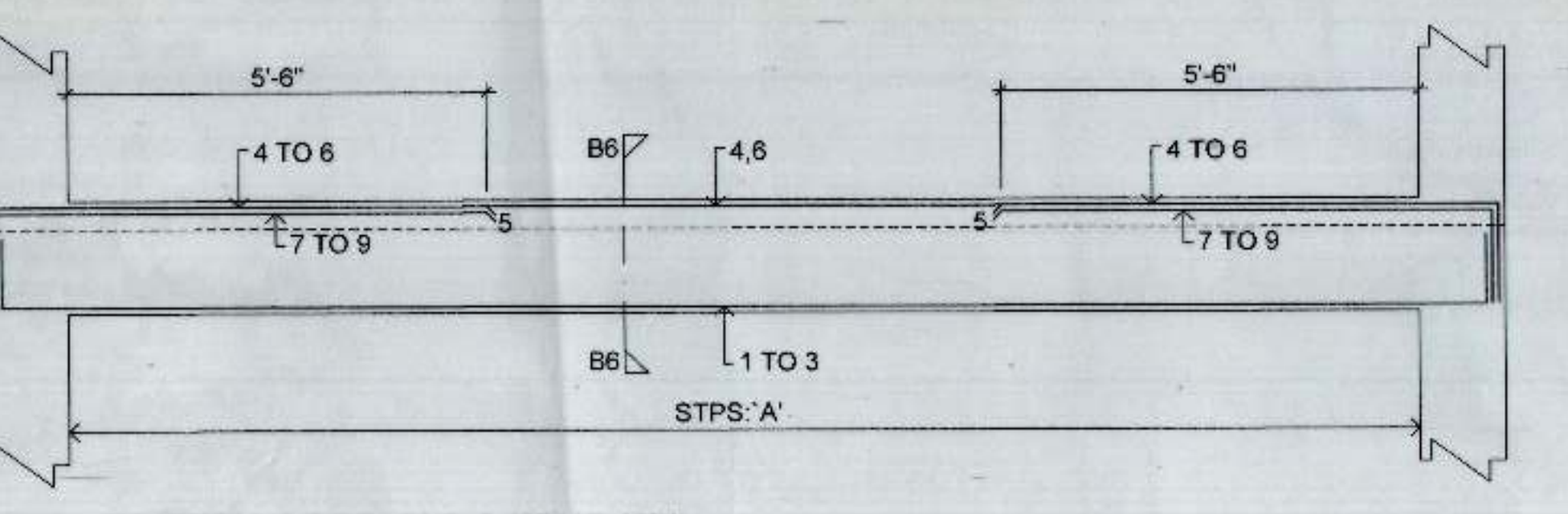
STPA 'A' = 8 MM  $\times$  2 LEGGED 9 @ 4" C/C + 4 @ 6" C/C + REST @ 8" C/C FROM SUPPORTS.  
 STPA 'B' = 8 MM  $\times$  2 LEGGED @ 6" C/C.  
 STPA 'C' = 8 MM  $\times$  2 LEGGED @ 4" C/C.  
 STPA 'D' = 10 MM  $\times$  2 LEGGED 12 @ 4" C/C + REST @ 8" C/C FROM SUPPORTS.  
 STPA 'E' = 8 MM  $\times$  4 LEGGED 12 @ 4 1/2" C/C + 8 @ 6" C/C + REST @ 8" C/C FROM SUPPORTS.  
 STPA 'F' = 8 MM  $\times$  2 LEGGED 6 @ 4" C/C + 4 @ 6" C/C + REST @ 9" C/C FROM SUPPORTS.



SECTION B5 - B5

**BARS IN BEAM B-5**

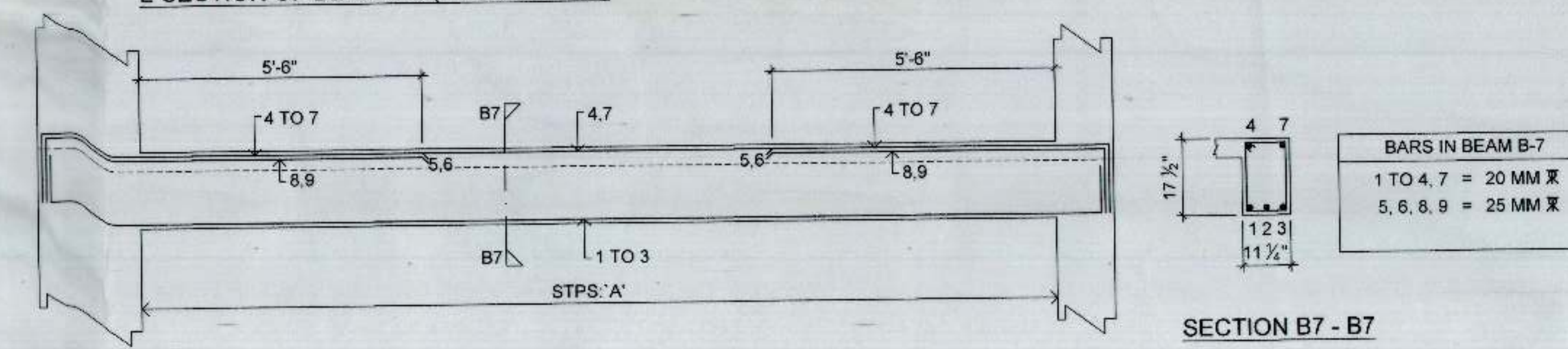
1 TO 4, 7 TO 11	= 20 MM $\times$
5, 6	= 16 MM $\times$



SECTION B6 - B6

**BARS IN BEAM B-6**

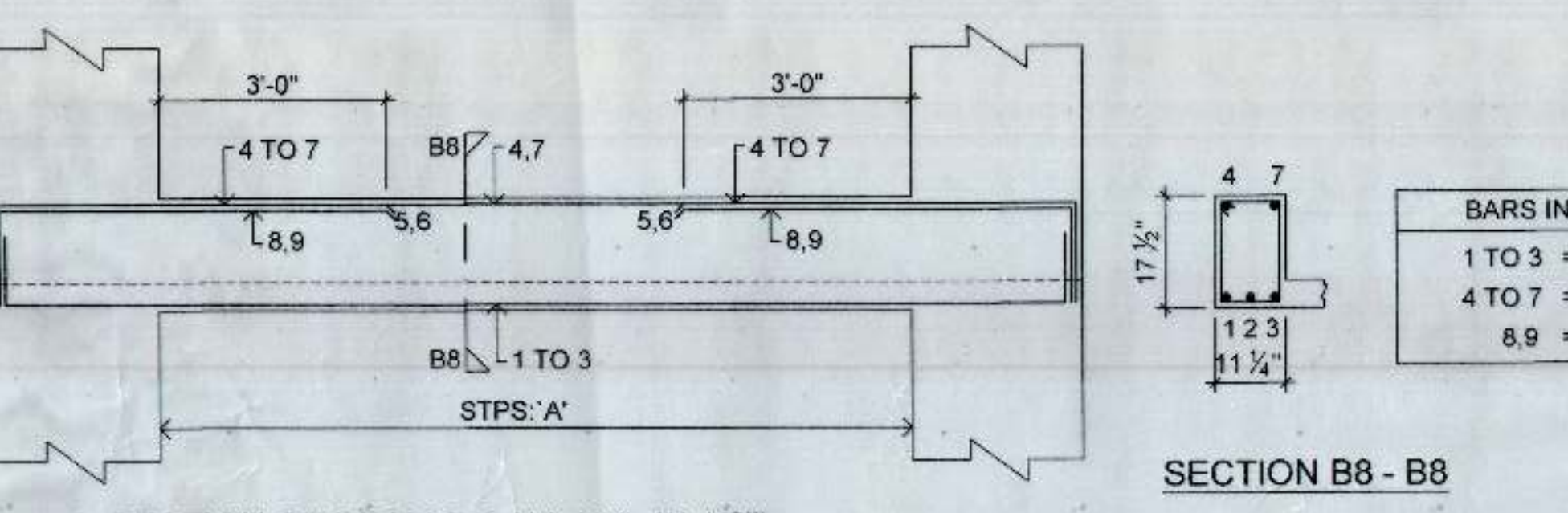
1, 3, 4, 6, 8	= 20 MM $\times$
2, 5, 7, 9	= 25 MM $\times$



SECTION B7 - B7

**BARS IN BEAM B-7**

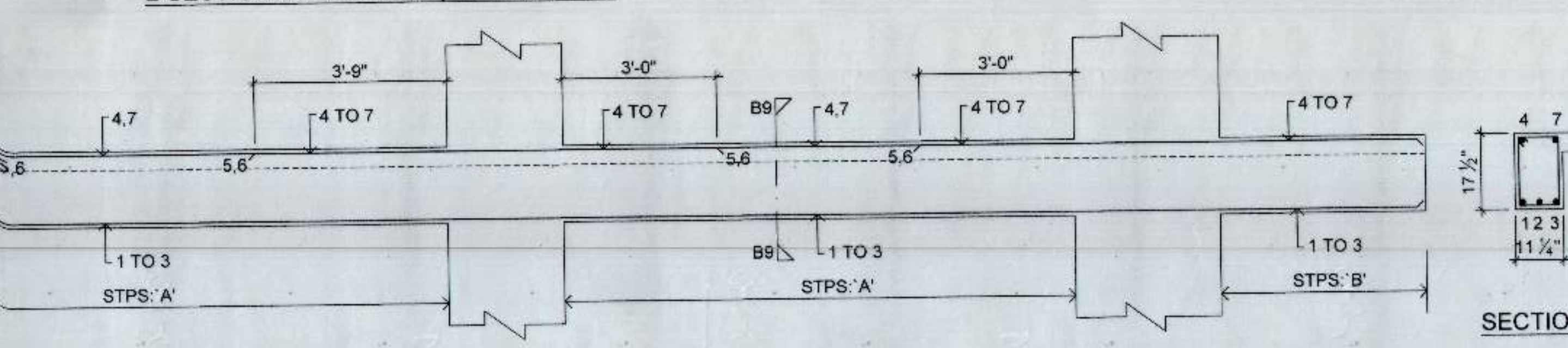
1 TO 4, 7	= 20 MM $\times$
5, 6, 8, 9	= 25 MM $\times$



SECTION B8 - B8

**BARS IN BEAM B-8**

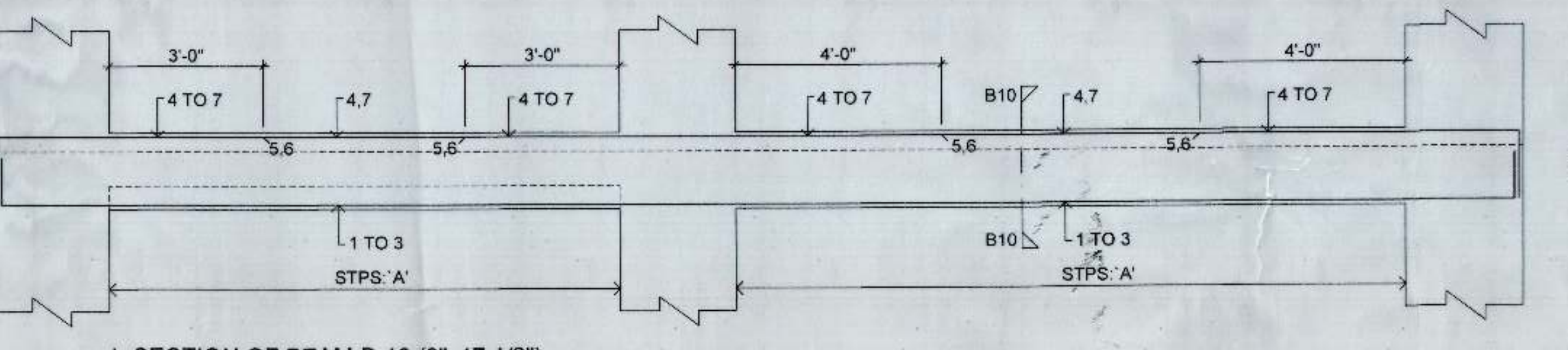
1 TO 3	= 16 MM $\times$
4 TO 7	= 20 MM $\times$
8, 9	= 12 MM $\times$



SECTION B9 - B9

**BARS IN BEAM B-9**

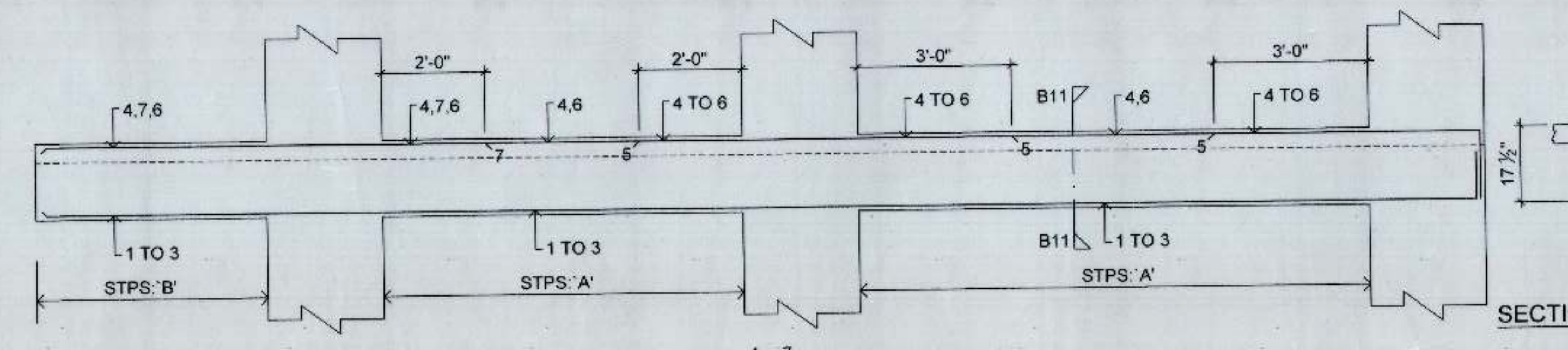
1 TO 3	= 16 MM $\times$
4 TO 7	= 20 MM $\times$



SECTION B10 - B10

**BARS IN BEAM B-10**

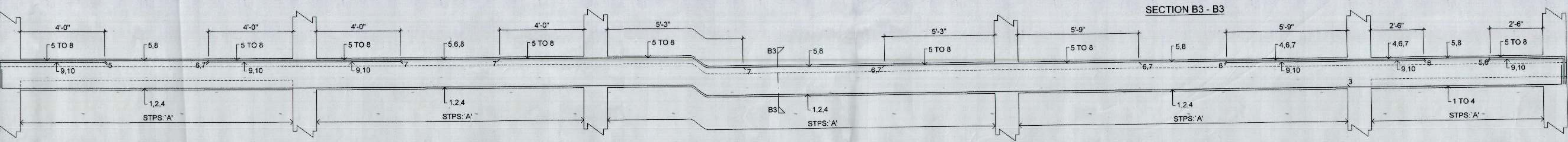
1 TO 3	= 16 MM $\times$
4 TO 7	= 20 MM $\times$



SECTION B11 - B11

**BARS IN BEAM B-11**

1 TO 10	= 20 MM $\times$
---------	------------------



SECTION B3 - B3

**BARS IN BEAM B-3**

1 TO 10	= 20 MM $\times$
---------	------------------

**BARS IN BEAM B-11**

1, 3, 5	= 16 MM $\times$
2, 4, 6, 7	= 20 MM $\times$

CLIENT:  
**CHANDIGARH HOUSING BOARD**  
 8, JAN MARG, SECTOR 9-D, CHANDIGARH

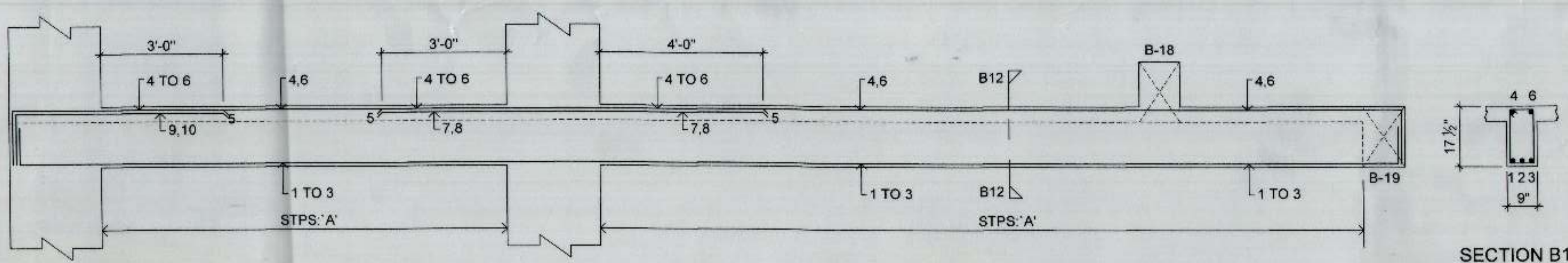
TITLE:  
**LAYOUT PLAN OF BEAMS  
 & SLAB AT G.F.R. LVL.**

DEALT BY	CHECKED BY
DATED	SCALED
DRG NO.	JOB NO.
STR/04	CHB/CC/27

**Jaitley Consultants**  
 #156, Sector-21, Panchkula  
 Mobile No. : +91-75084 88888  
 e-mail : jaitleyconsultants@gmail.com  
 skjaitley@jaitleyconsultants.com  
 webpage : www.jaitleyconsultants.com

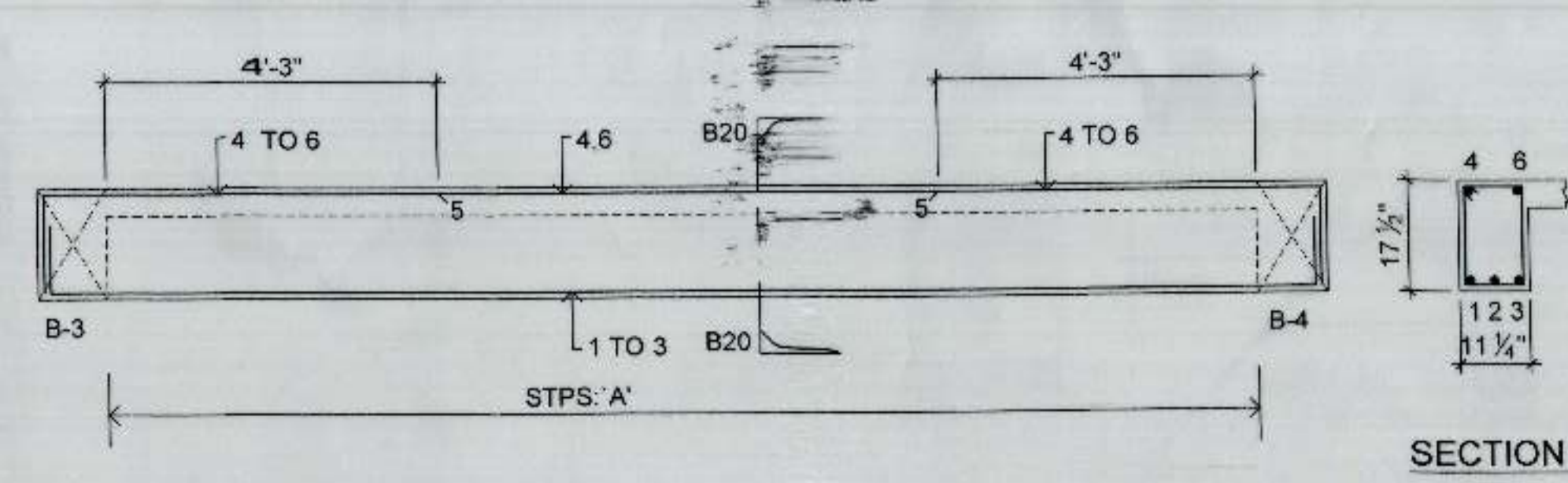
JOB No. 146

PROJECT:  
**COMMUNITY CENTRE  
 AT SECTOR 27 MALCOYA  
 CHANDIGARH**



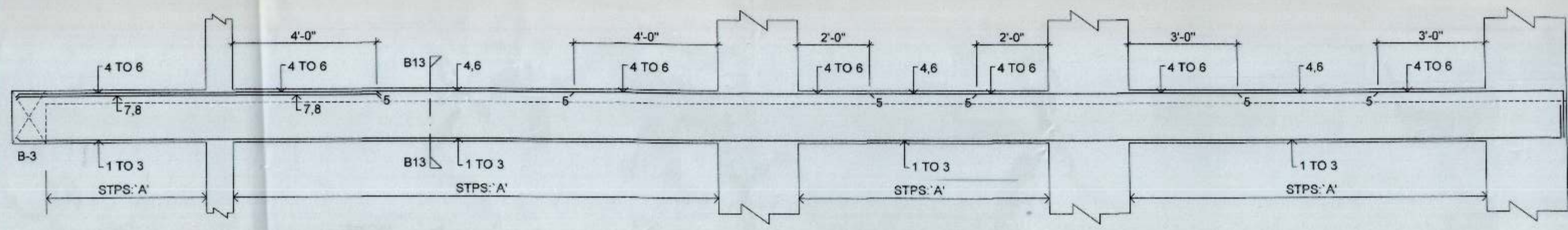
**BARS IN BEAM B-12**  
 1 TO 6 = 20 MM  $\times$   
 7, 8 = 25 MM  $\times$   
 9, 10 = 16 MM  $\times$

SECTION B12 - B12



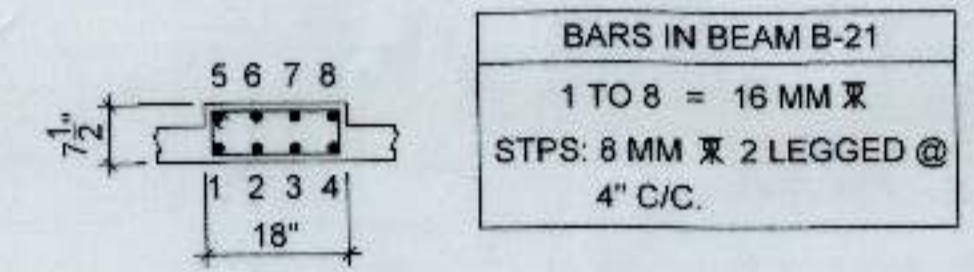
**BARS IN BEAM B-20**  
 1 TO 6 = 16 MM  $\times$

SECTION B20 - B20



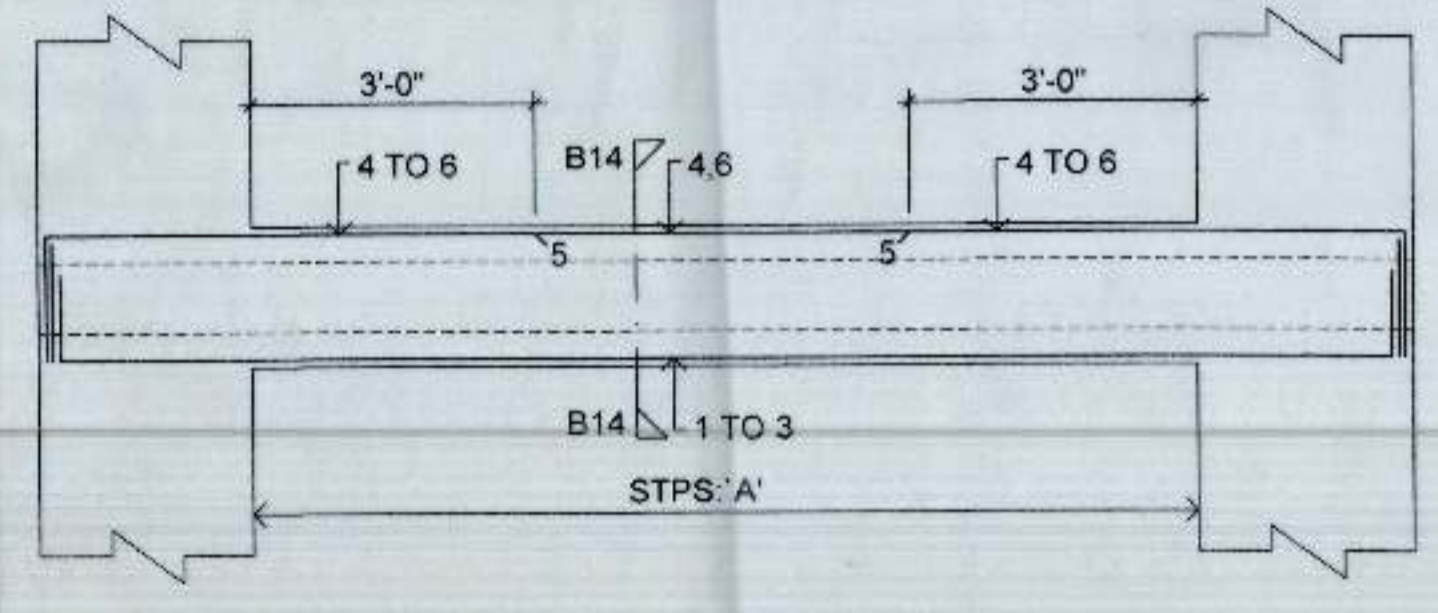
**BARS IN BEAM B-13**  
 1, 3, 7, 8 = 16 MM  $\times$   
 2, 4 TO 6 = 20 MM  $\times$

SECTION B13 - B13



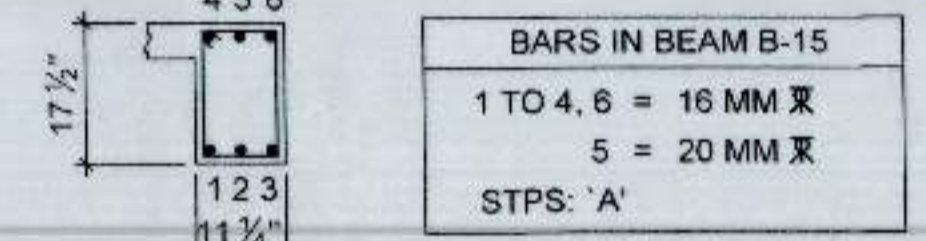
**BARS IN BEAM B-21**  
 1 TO 8 = 16 MM  $\times$   
 STPS: 8 MM  $\times$  2 LEGGED @ 4" C/C

SECTION B21 - B21



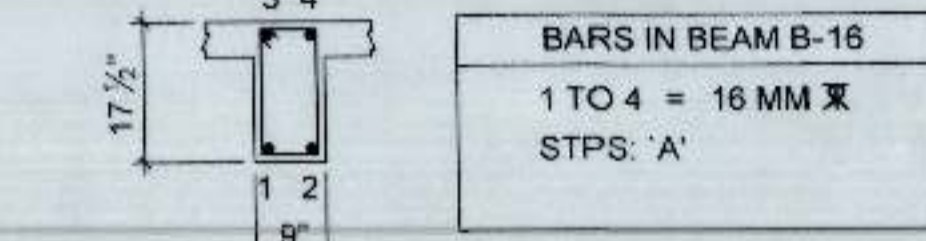
**BARS IN BEAM B-14**  
 1 TO 3 = 16 MM  $\times$   
 4 TO 6 = 20 MM  $\times$

SECTION B14 - B14



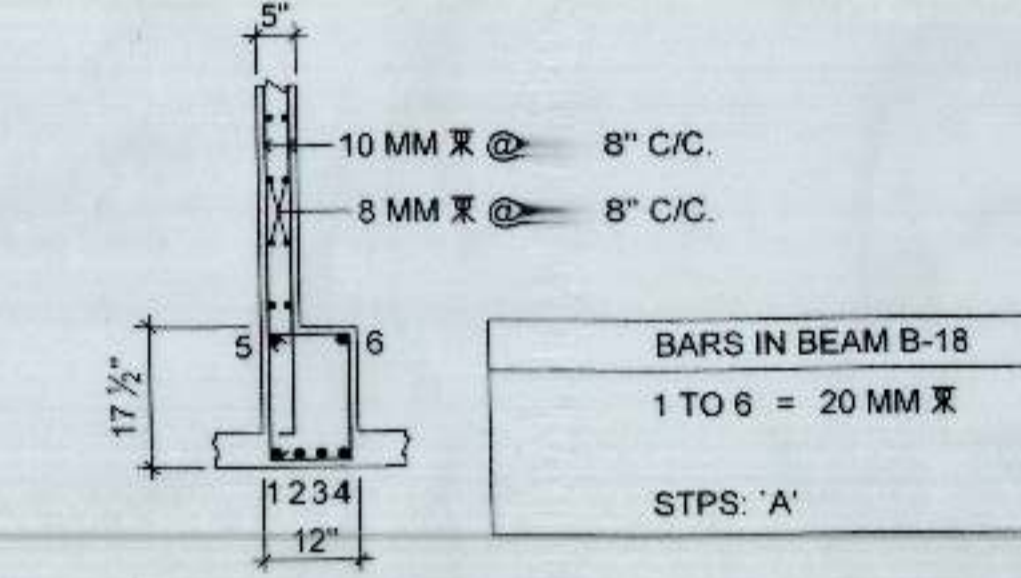
**BARS IN BEAM B-15**  
 1 TO 4, 6 = 16 MM  $\times$   
 5 = 20 MM  $\times$   
 STPS: 'A'

SECTION B15 - B15



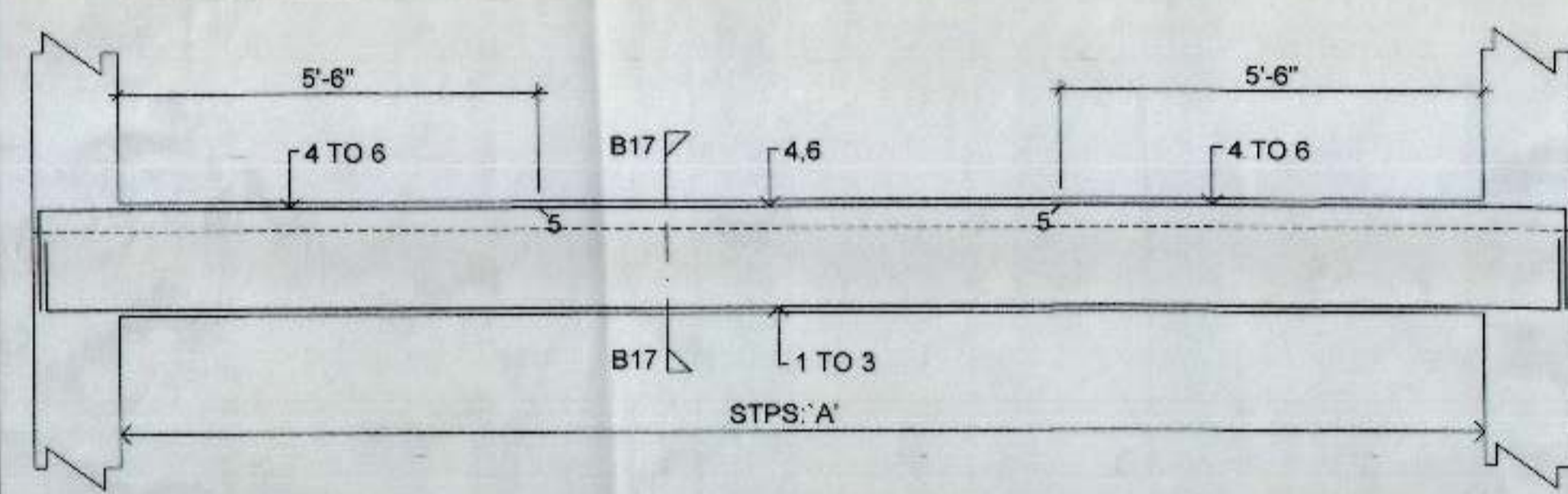
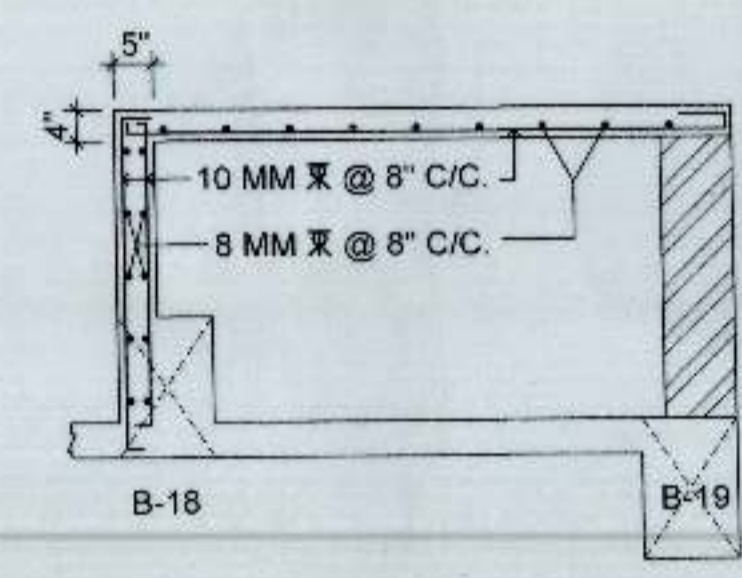
**BARS IN BEAM B-16**  
 1 TO 4 = 16 MM  $\times$   
 STPS: 'A'

SECTION B16 - B16



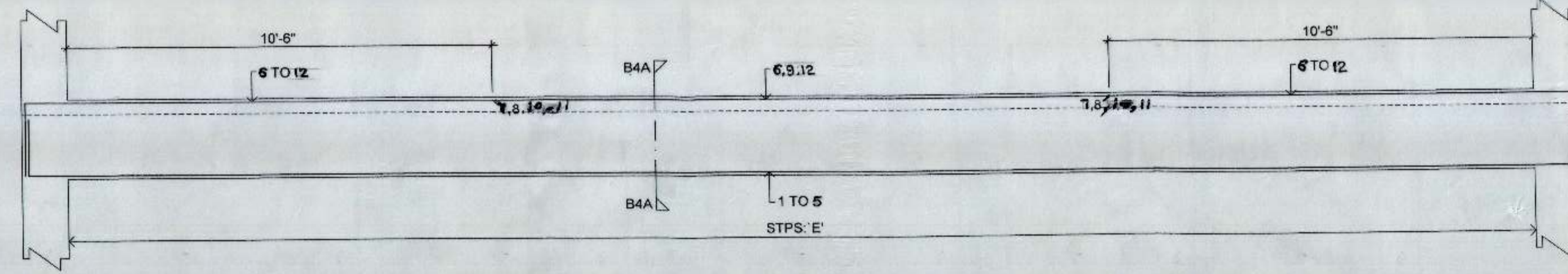
**BARS IN BEAM B-18**  
 1 TO 6 = 20 MM  $\times$   
 STPS: 'A'

SECTION B18 - B18



**BARS IN BEAM B-17**  
 1 TO 3 = 16 MM  $\times$   
 4 TO 6 = 20 MM  $\times$

SECTION B17 - B17

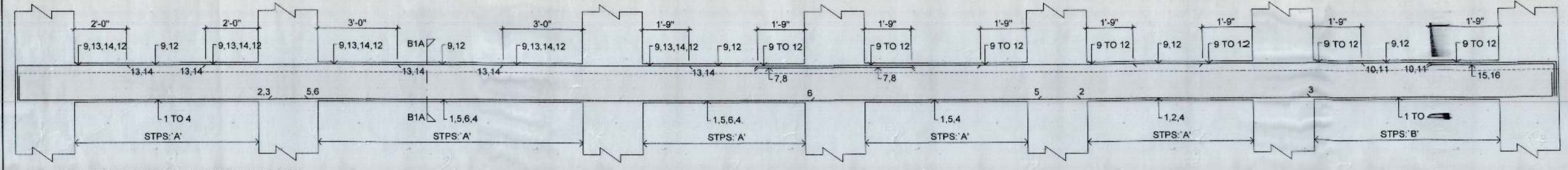
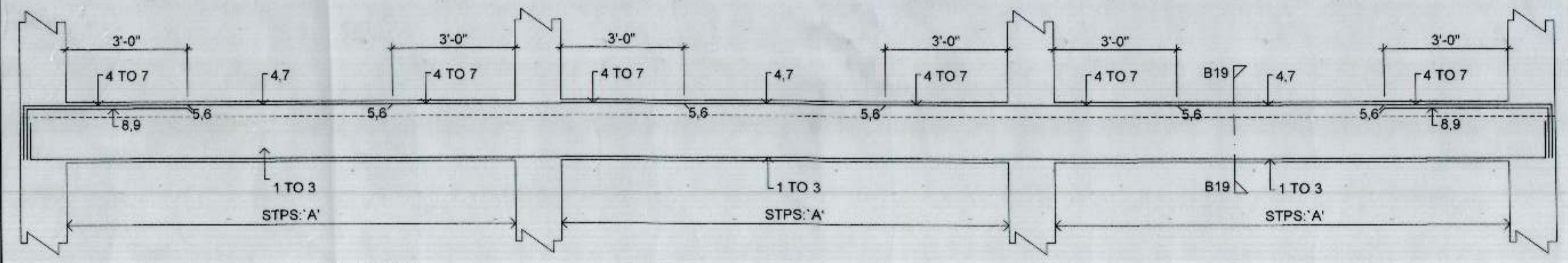


**BARS IN BEAM B-19**  
 1 TO 7 = 20 MM  $\times$   
 8, 9 = 12 MM  $\times$

SECTION B19 - B19

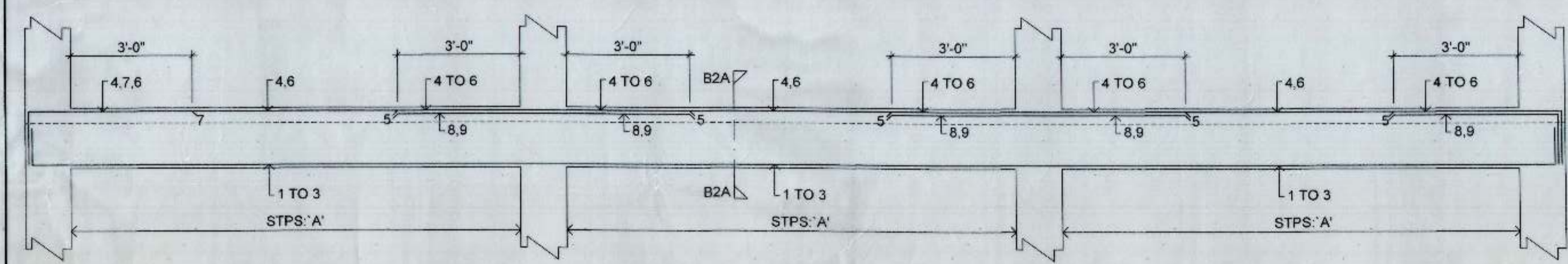
**BARS IN BEAM B-104**  
 1 TO 7 = 25 MM  $\times$   
 8, 10 = 20 MM  $\times$   
 11, 12 = 25 MM  $\times$

SECTION B4A - B4A



**BARS IN BEAM B-101**  
 1 TO 4, 9 TO 12 = 20 MM  $\times$   
 5, 6, 13, 14 = 25 MM  $\times$   
 7, 8, 15, 16 = 16 MM  $\times$   
 7, 8 = 12 MM  $\times$

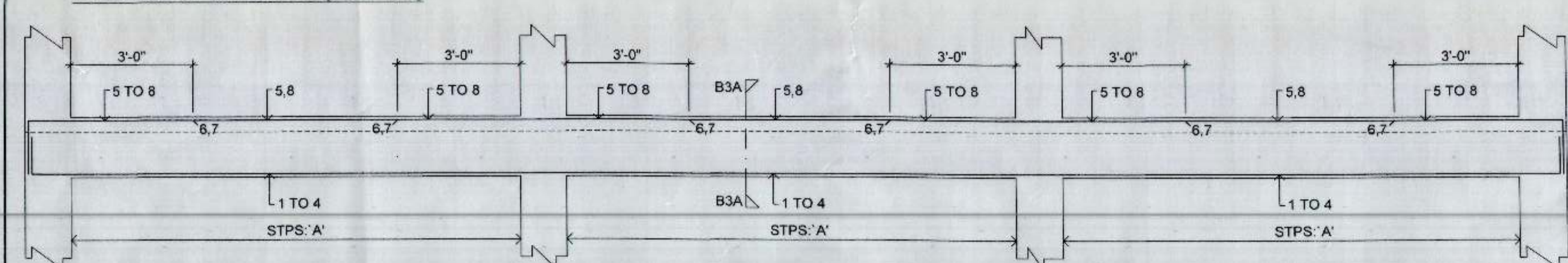
SECTION B1A - B1A



**BARS IN BEAM B-102**  
 1, 3 = 16 MM  $\times$   
 2, 4 TO 7 = 20 MM  $\times$   
 8, 9 = 12 MM  $\times$

SECTION B2A - B2A

**STIRRUPS**  
 STPA: 'A' = 8 MM  $\times$  2 LEG  $\angle$  9 @ 4" C/C + 4 @ 6" C/C + REST @ 8" C/C FROM SUPPORTS.  
 STPA: 'B' = 8 MM  $\times$  2 LEG  $\angle$  6 @ 6" C/C.  
 STPA: 'C' = 8 MM  $\times$  2 LEG  $\angle$  6 @ 4" C/C.  
 STPA: 'D' = 10 MM  $\times$  2 LEG  $\angle$  12 @ 4" C/C + REST @ 8" C/C FROM SUPPORTS.  
 STPA: 'E' = 8 MM  $\times$  4 LEG  $\angle$  12 @ 4 1/2" C/C + 8 @ 6" C/C + REST @ 8" C/C FROM SUPPORTS.  
 STPA: 'F' = 8 MM  $\times$  2 LEGGED @ 4" C/C + 4 @ 6" C/C + REST @ 8" C/C FROM SUPPORTS.



**BARS IN BEAM B-103**  
 1, 4, 5, 8 = 20 MM  $\times$   
 2, 3 = 16 MM  $\times$   
 6, 7 = 25 MM  $\times$

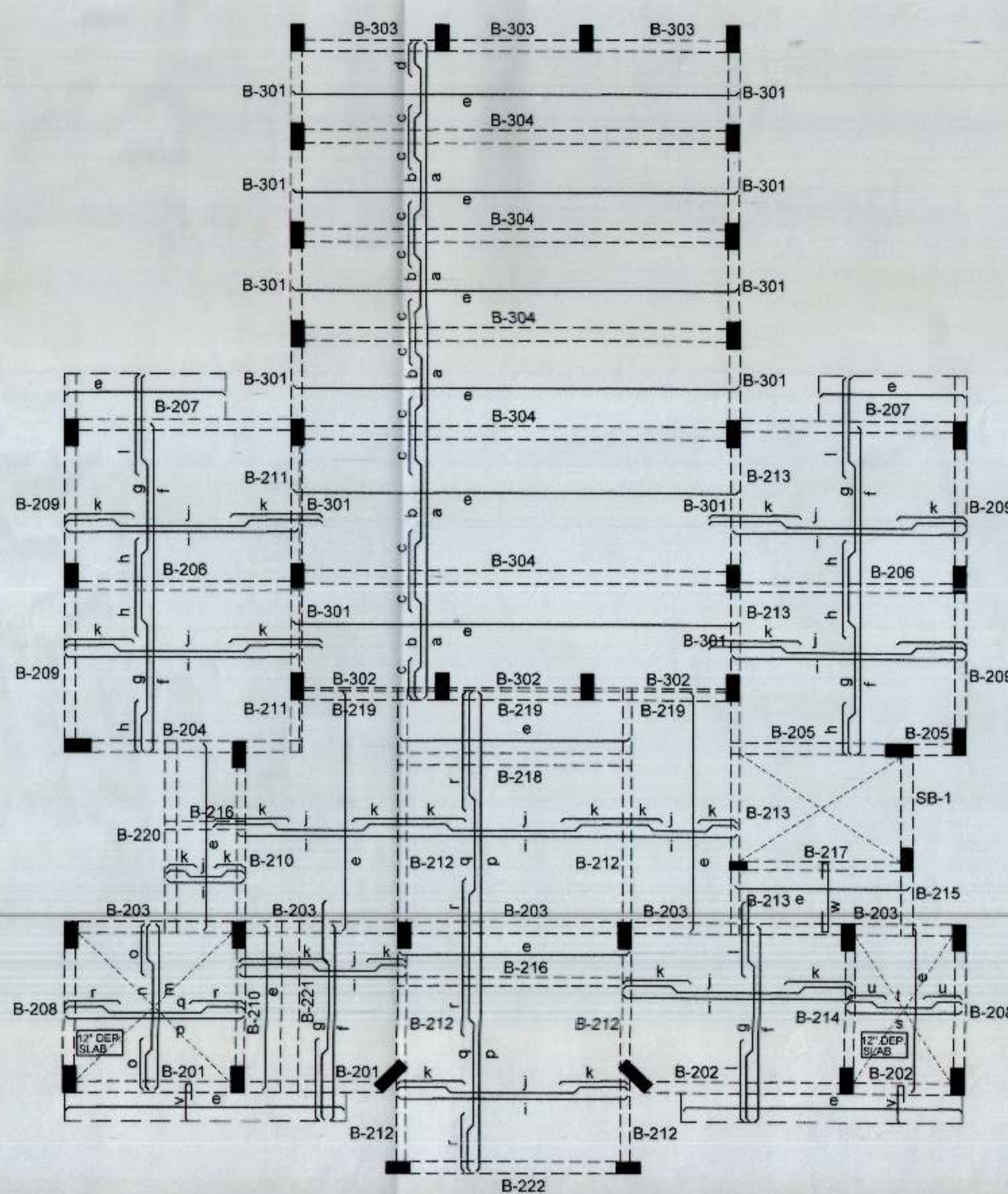
SECTION B3A - B3A

CLIENT:  
**CHANDIGARH HOUSHING BOARD**  
 8, JAN MARG, SECTOR 9-D, CHANDIGARH

TITLE:  
**DETAILS OF BEAMS  
 AT G.F.R. LEVEL**

DEALT BY	CHECKED BY
DATED	SCALED
DRG NO.	JOB NO.
STR/05	CHB/CC/27

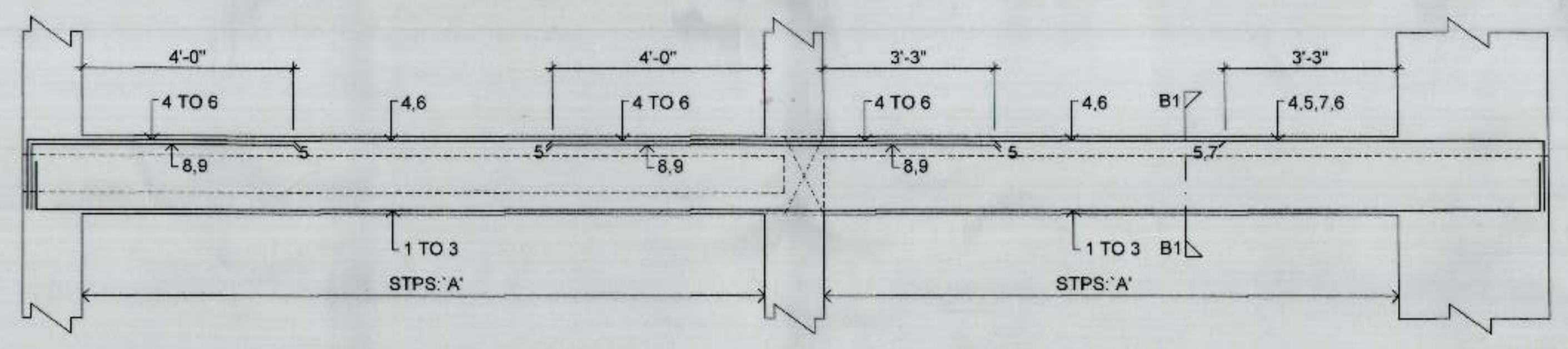
**Jaitley Consultants**  
 #156, Sector-21, Panchkula  
 Mobile No. : +91-75084 88888  
 e-mail : jaitleyconsultants@gmail.com  
 skjaitley@jaitleyconsultants.com  
 webpage : www.jaitleyconsultants.com



LAYOUT PLAN OF SLAB & BEAMS AT FIRST FLOOR ROOF LEVEL  
 NOTE: SLAB 5 1/2" THICK THROUGHOUT, UNLESS, OTHERWISE, SPECIFIED.

**BARS IN SLAB**

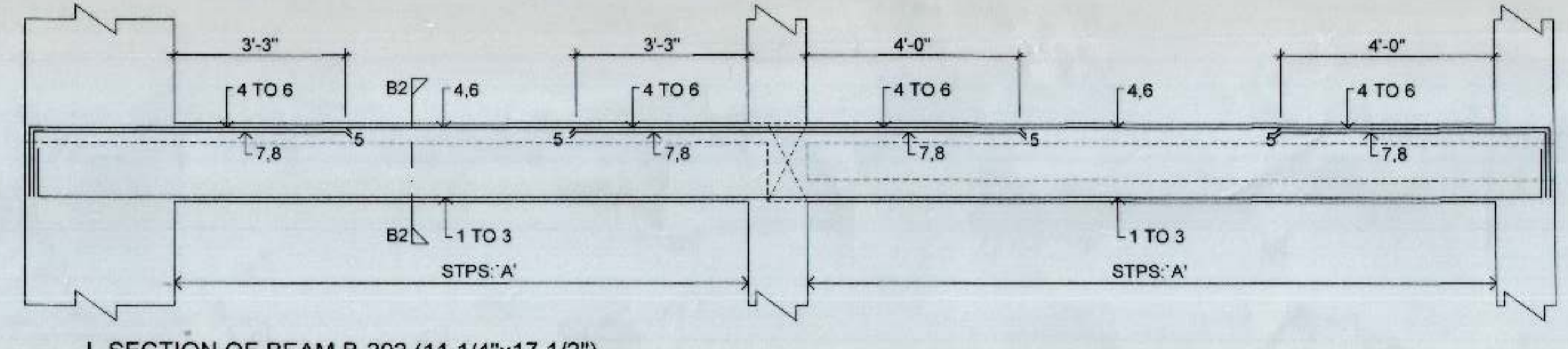
a, b = 10 MM @ 12" C/C.  
 c, d = 10 MM @ 12" C/C.  
 e = 8 MM @ 8" C/C.  
 f = 8 MM @ 15" C/C.  
 g, h = 10 MM @ 15" C/C.  
 i, k = 8 MM @ 16" C/C.  
 j = 10 MM @ 16" C/C.  
 l = 12 MM @ 15" C/C.  
 m, n, o = 10 MM @ 10" C/C.  
 p, q, r = 10 MM @ 14" C/C.  
 s, t, u = 10 MM @ 12" C/C.  
 v = 10 MM @ 5" C/C.  
 w = 8 MM @ 6" C/C.



**BARS IN BEAM B-201**

1, 3 = 16 MM  
 2, 4 TO 9 = 20 MM

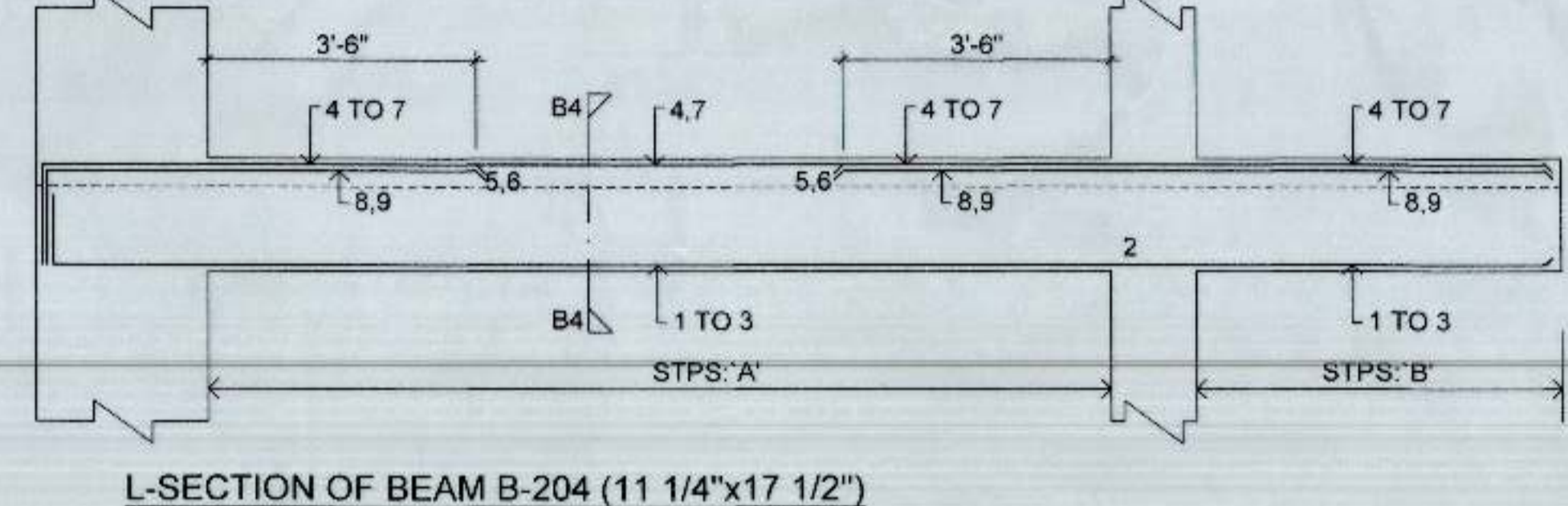
SECTION B1 - B1



**BARS IN BEAM B-202**

1 TO 8 = 20 MM

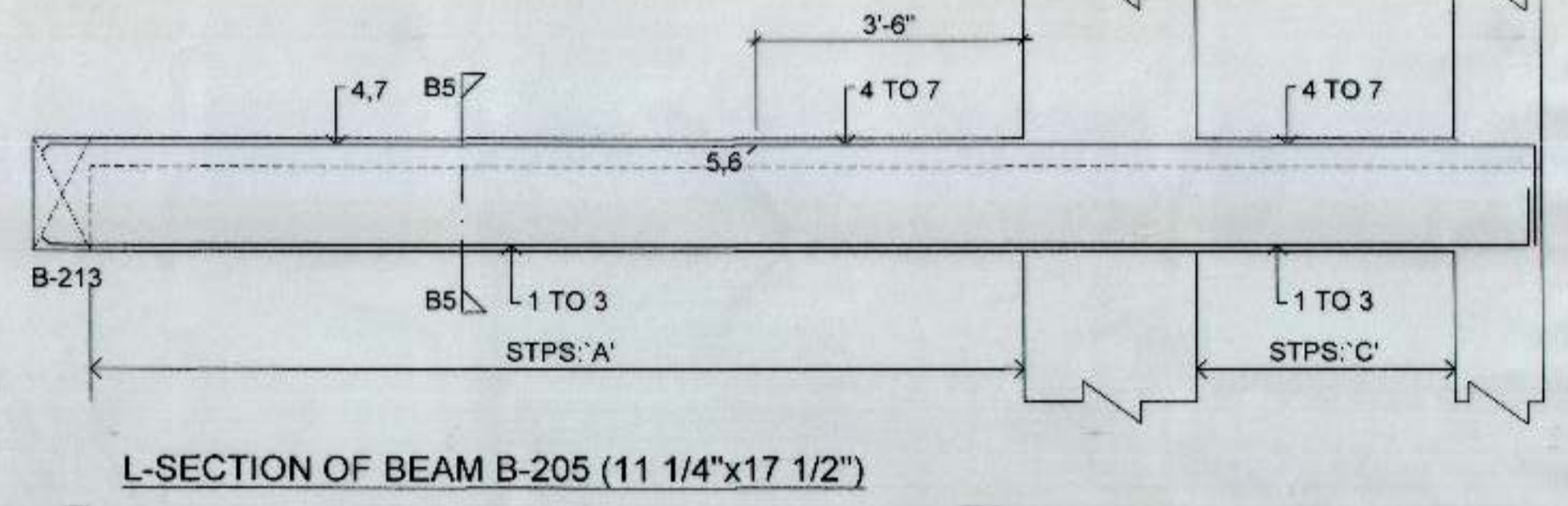
SECTION B2 - B2



**BARS IN BEAM B-204**

1, 3 = 16 MM  
 2, 4 TO 9 = 20 MM

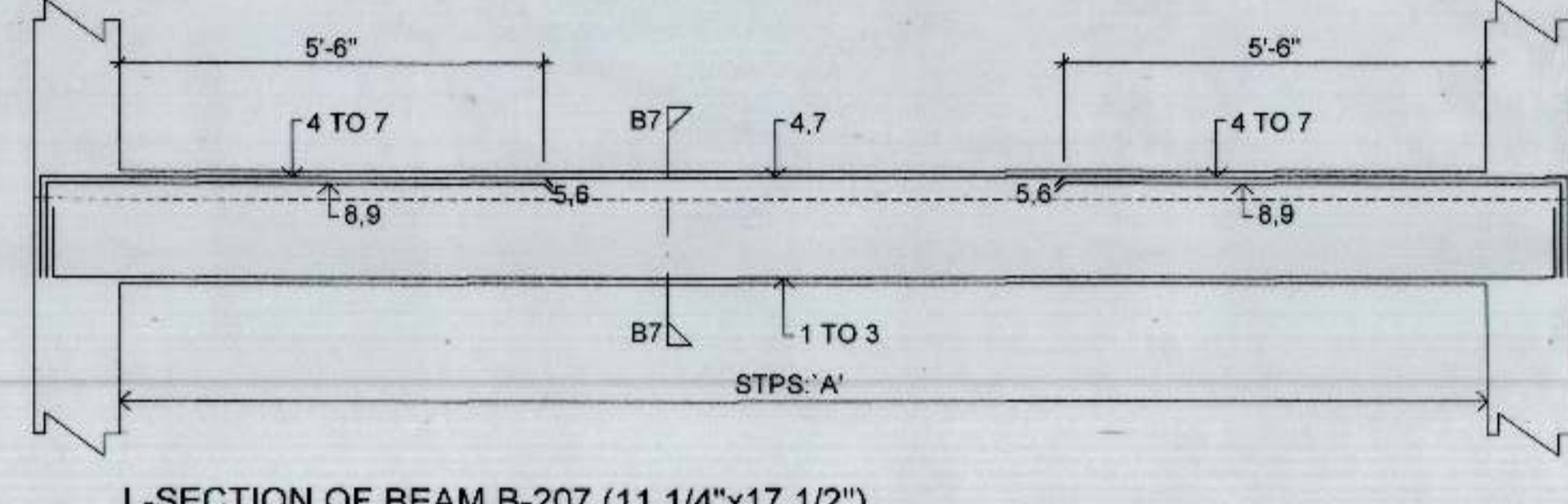
SECTION B4 - B4



**BARS IN BEAM B-205**

1 TO 7 = 20 MM

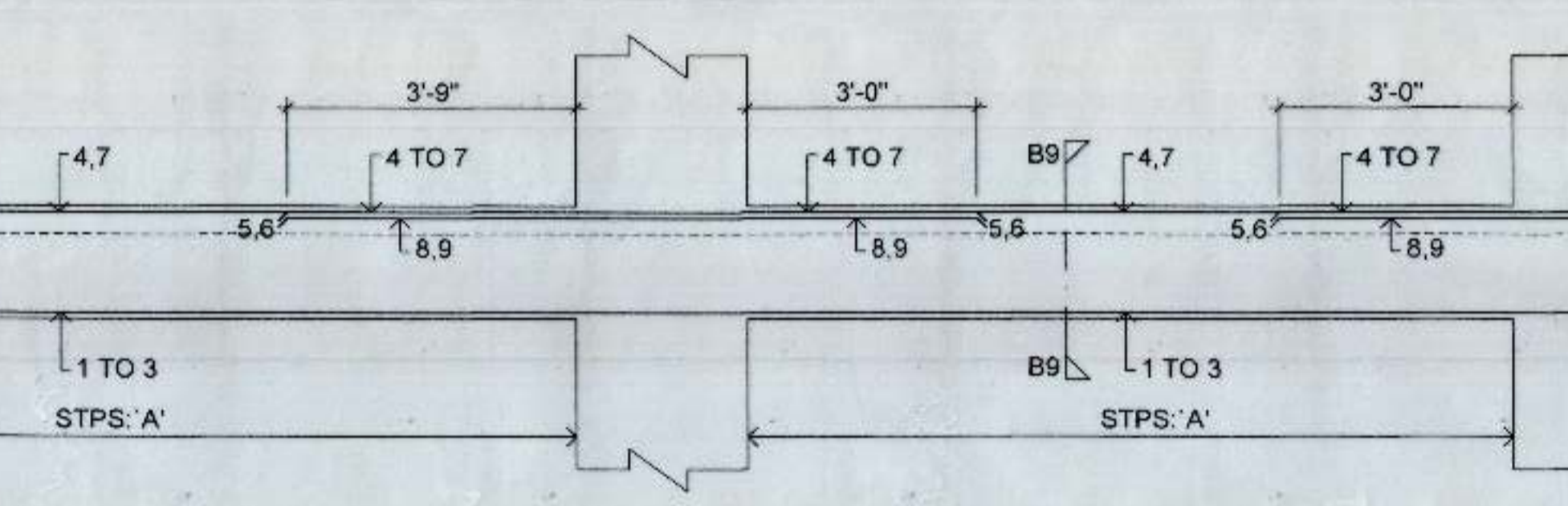
SECTION B5 - B5



**BARS IN BEAM B-206**

1 TO 10 = 20 MM

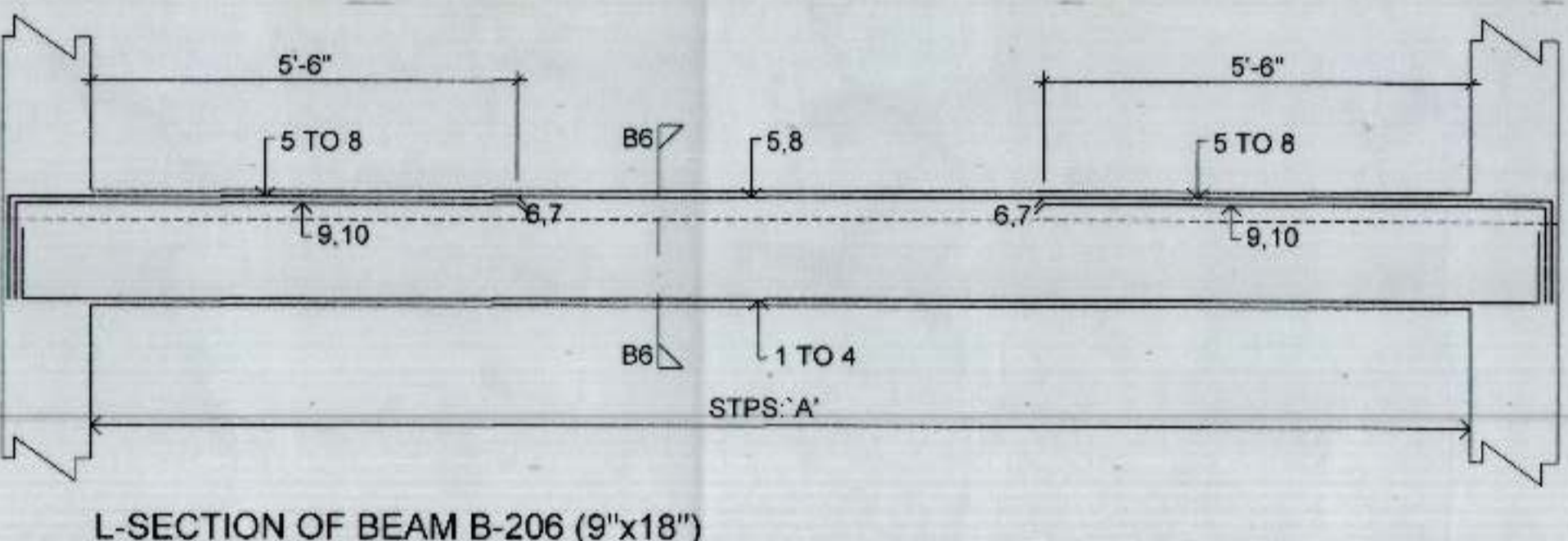
SECTION B6 - B6



**BARS IN BEAM B-207**

1 TO 4, 7, 8, 9 = 20 MM  
 5, 6 = 25 MM

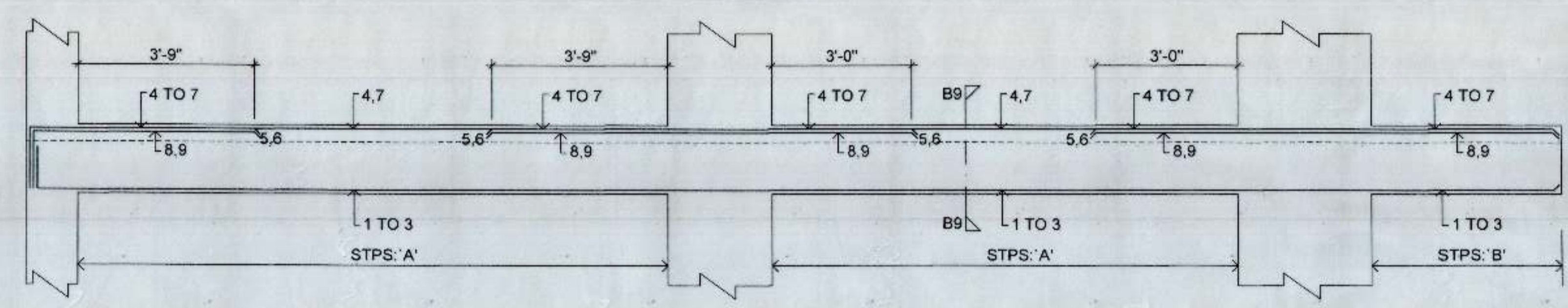
SECTION B7 - B7



**BARS IN BEAM B-208**

1 TO 3 = 16 MM  
 4 TO 7 = 20 MM

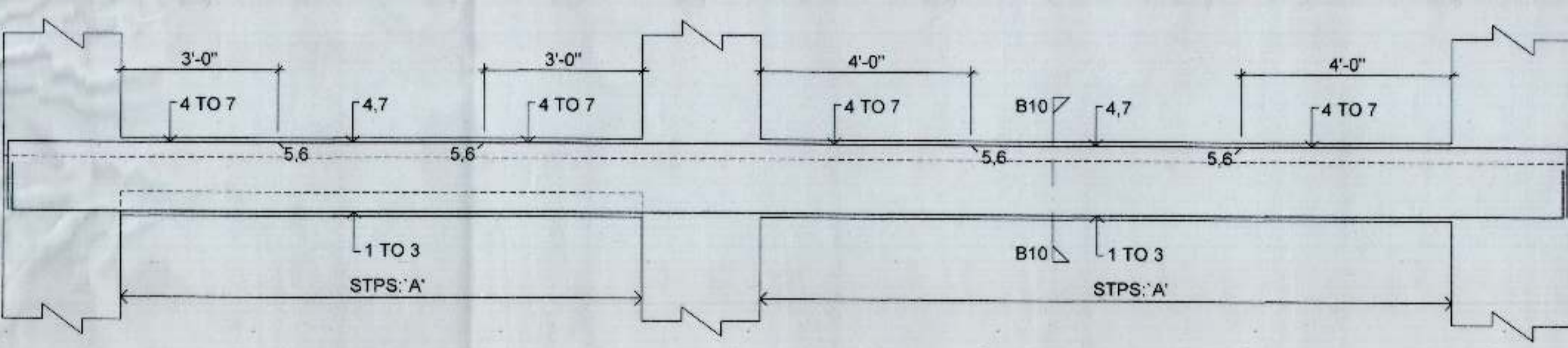
SECTION B8 - B8



**BARS IN BEAM B-209**

1 TO 3, 8, 9 = 16 MM  
 4 TO 7 = 20 MM

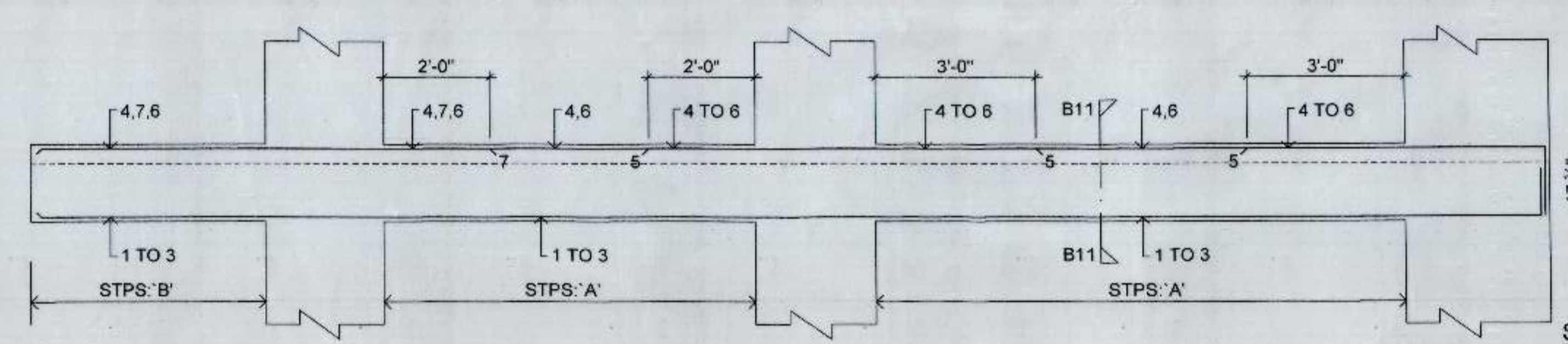
SECTION B9 - B9



**BARS IN BEAM B-210**

1 TO 3 = 16 MM  
 4 TO 7 = 20 MM

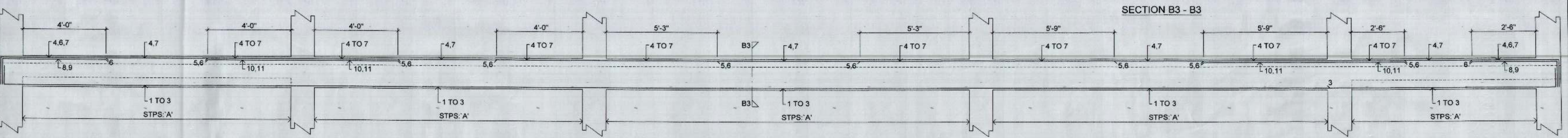
SECTION B10 - B10



**BARS IN BEAM B-211**

1, 3, 5 = 16 MM  
 2, 4 TO 9 = 20 MM  
 10, 11 = 12 MM

SECTION B11 - B11



**BARS IN BEAM B-203**

1, 3 = 16 MM  
 2, 4 TO 9 = 20 MM  
 10, 11 = 12 MM

SECTION B3 - B3

**STIRRUPS**

STPA: A' = 8 MM 2 LEGGED @ 4" C/C + 4 @ 6" C/C + REST @ 8" C/C FROM SUPPORTS.  
 STPA: B' = 8 MM 2 LEGGED @ 6" C/C.  
 STPA: C' = 8 MM 2 LEGGED @ 4" C/C.  
 STPA: D' = 10 MM 2 LEGGED - 1 2 @ 4" C/C + REST @ 8" C/C FROM SUPPORTS.  
 STPA: E' = 8 MM 4 LEGGED - 1 2 @ 4 1/2" C/C + 8 @ 6" C/C + REST @ 8" C/C FROM SUPPORTS.  
 STPA: F' = 8 MM 2 LEGGED @ 4" C/C + 4 @ 6" C/C + REST @ 8" C/C FROM SUPPORTS.

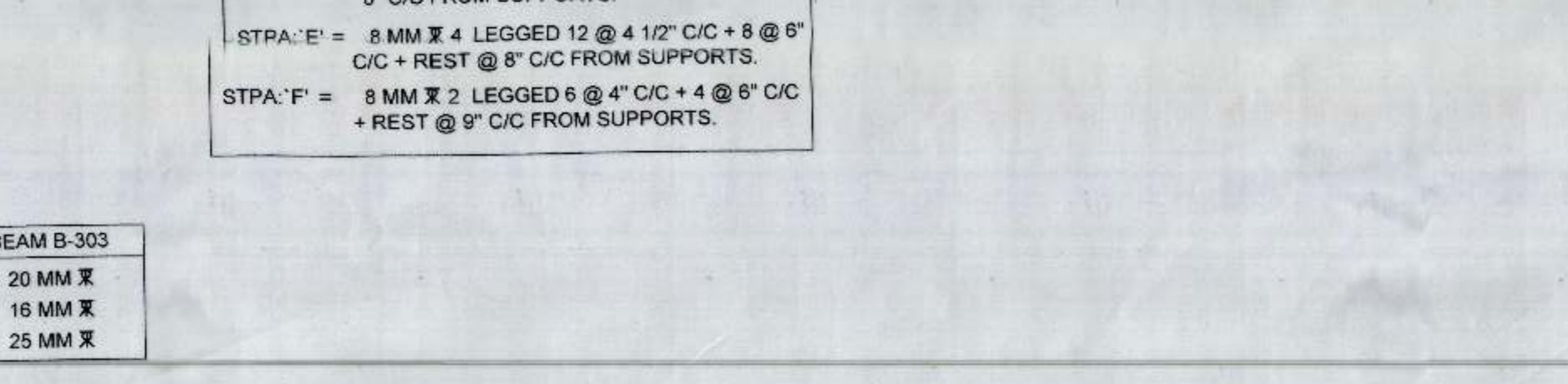
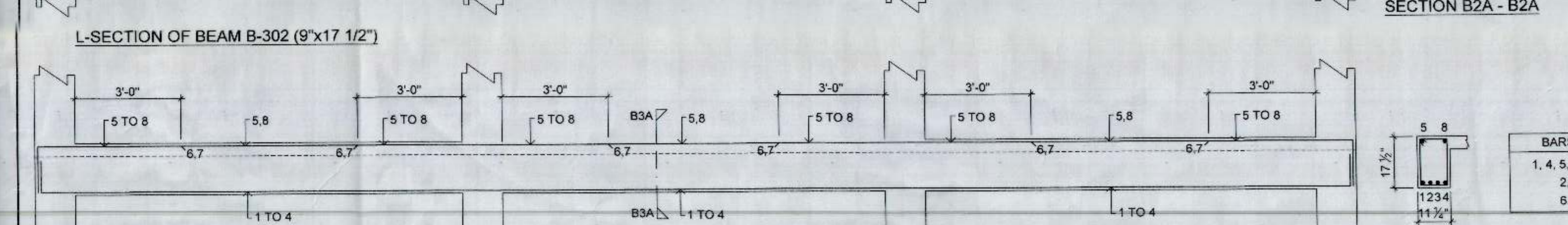
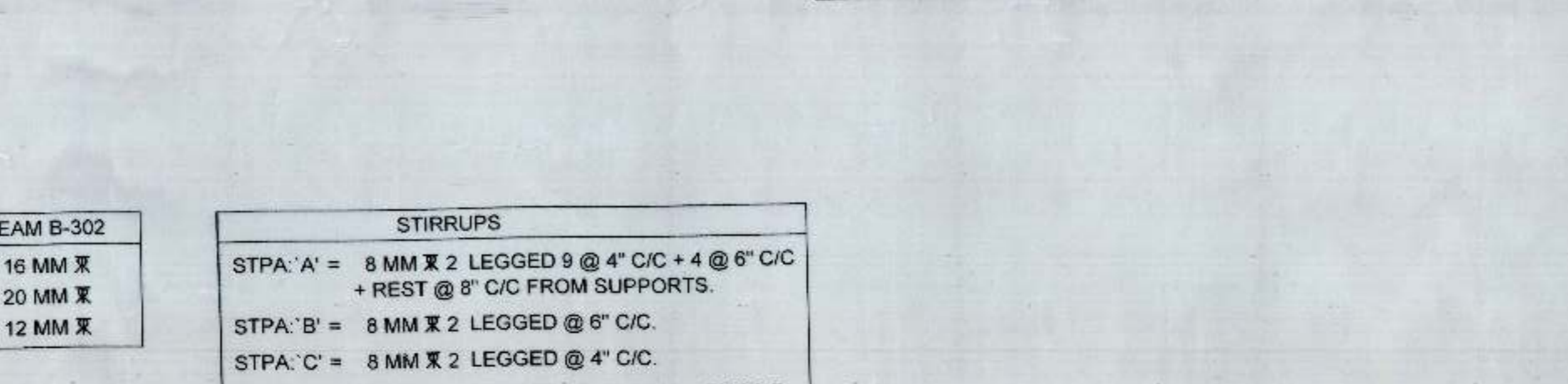
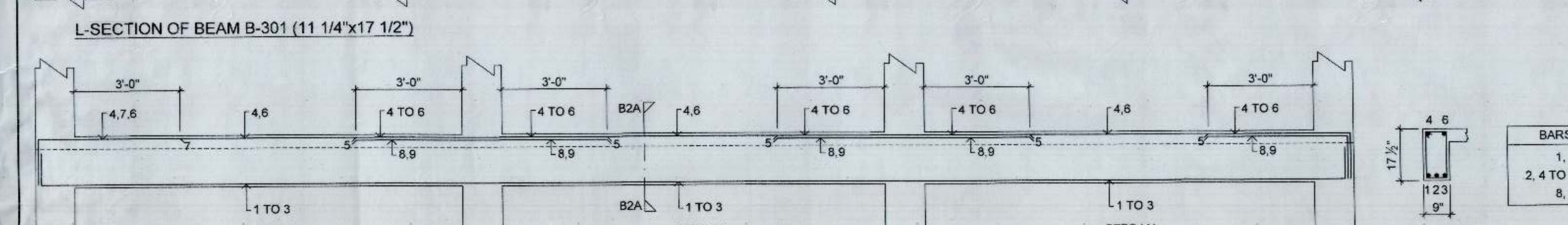
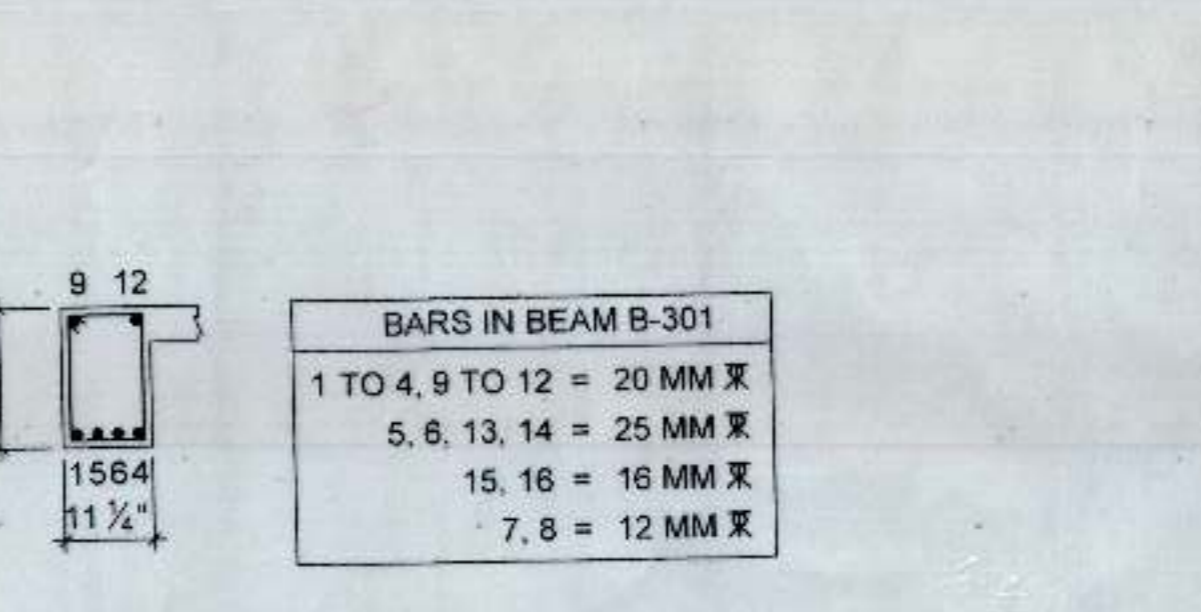
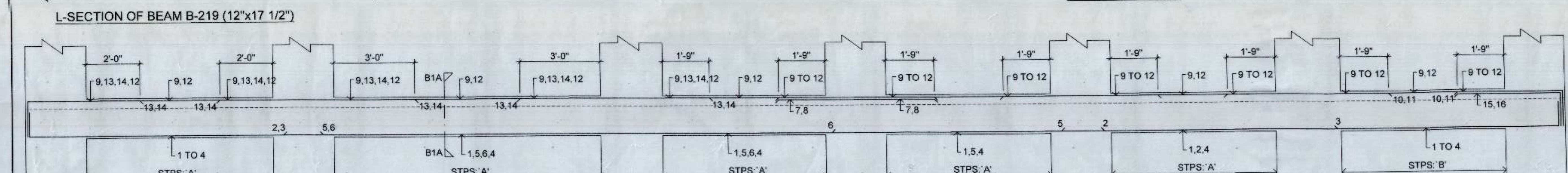
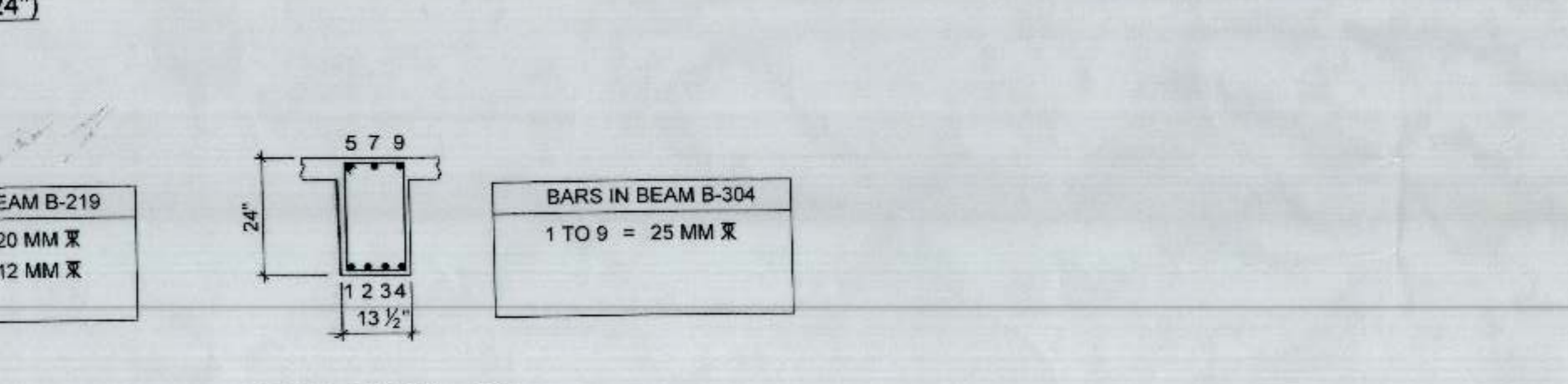
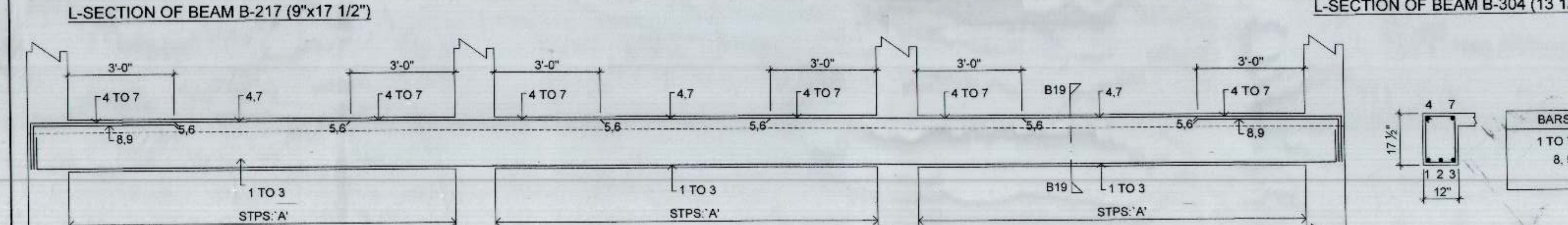
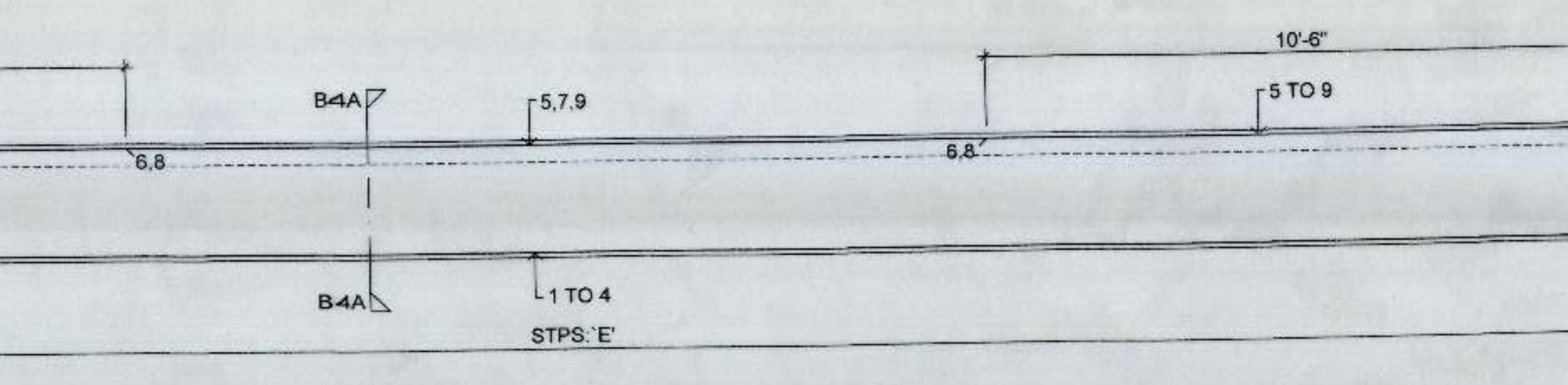
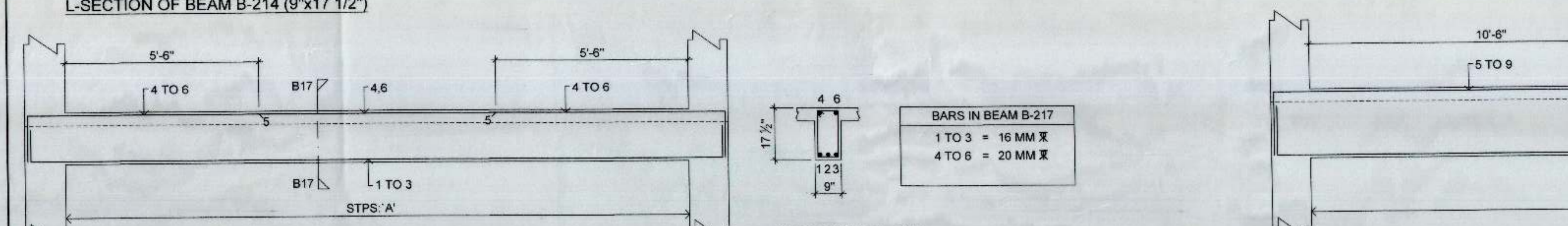
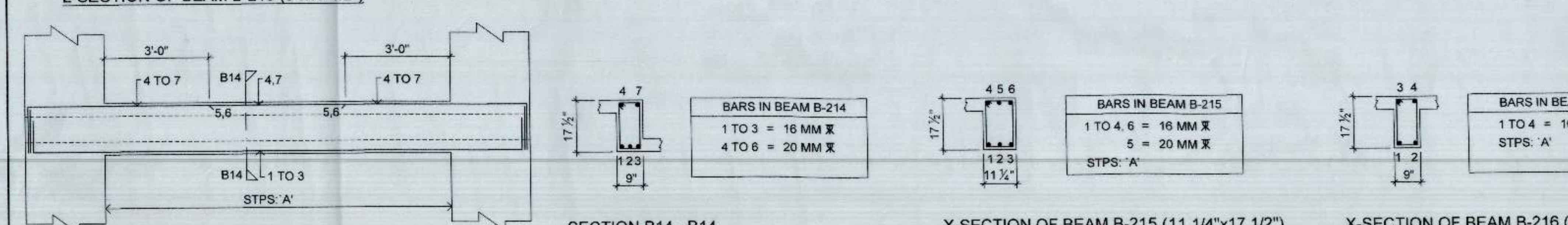
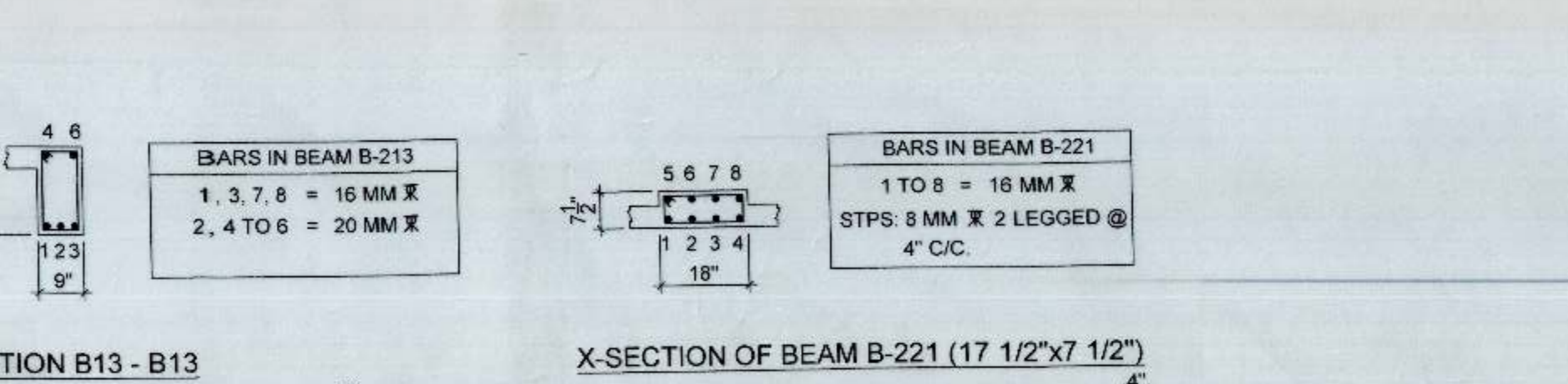
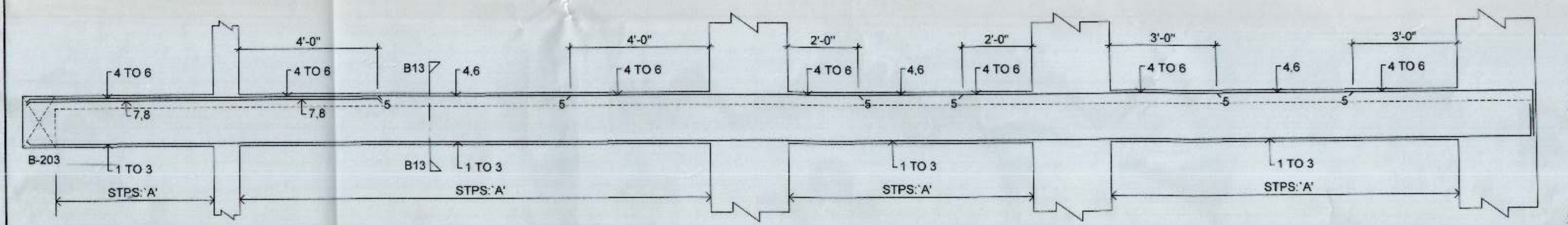
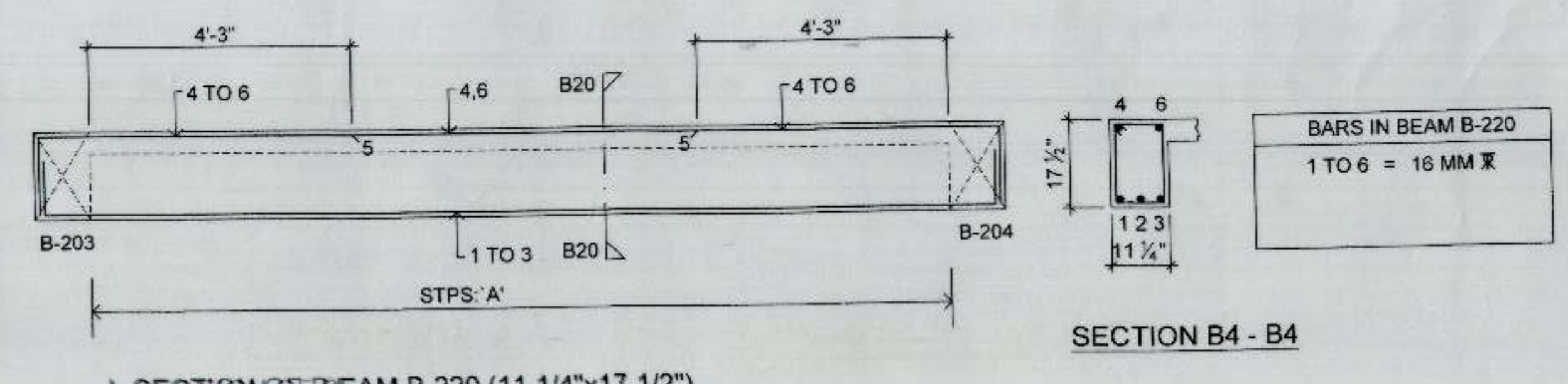
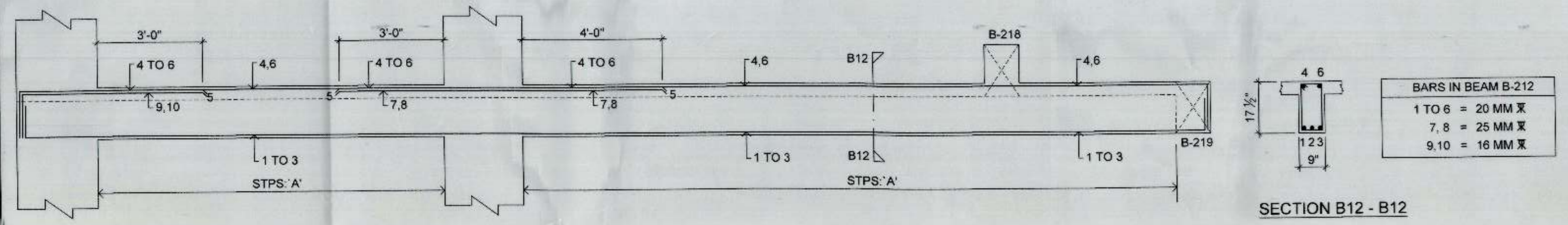
CLIENT:  
**CHANDIGARH HOUSING BOARD**  
 8, JAN MARG, SECTOR 9-D, CHANDIGARH

TITLE:  
**LAYOUT PLAN OF BEAMS & SLAB AT F.F.R. LVL.**

DEALT BY	CHECKED BY
DATED	SCALED 1/8" = 1'-0"
DRG NO.	JUNE, 2017 1/2" = 1'-0"
STR/06	JOB NO. CHB/CC/27

Jaitley Consultants  
 #156, Sector-21, Panchkula  
 Mobile No. : +91-75084 88888  
 e-mail : jaitleyconsultants@gmail.com  
 skjaitley@jaitleyconsultants.com  
 webpage : www.jaitleyconsultants.com

PROJECT:  
**COMMUNITY CENTRE  
 AT SECTOR 27 MALOYA  
 CHANDIGARH**



**STIRRUPS**

STPA: 'A' = 8 MM  $\times$  2 LEGGED 9 @ 4" C/C + 4 @ 6" C/C + REST @ 8" C/C FROM SUPPORTS.  
 STPA: 'B' = 8 MM  $\times$  2 LEGGED @ 6" C/C.  
 STPA: 'C' = 8 MM  $\times$  2 LEGGED @ 4" C/C.  
 STPA: 'D' = 10 MM  $\times$  2 LEGGED 12 @ 4" C/C + REST @ 8" C/C FROM SUPPORTS.  
 STPA: 'E' = 8 MM  $\times$  4 LEGGED 12 @ 4 1/2" C/C + 8 @ 6" C/C + REST @ 8" C/C FROM SUPPORTS.  
 STPA: 'F' = 8 MM  $\times$  2 LEGGED 6 @ 4" C/C + 4 @ 6" C/C + REST @ 9" C/C FROM SUPPORTS.

CLIENT:  
**CHANDIGARH HOUSING BOARD**  
 8, JAN MARG, SECTOR 9-D, CHANDIGARH

TITLE:  
**DETAILS OF BEAMS AT  
 F.F.R. LVL.**

DEALT BY	CHECKED BY
DATED	SCALED 1/8" = 1'-0"
JUNE, 2017	1/2" = 1'-0"
DRG NO.	JOB NO.
STR/07	CHB/C/27

**Jaitley Consultants**  
 #156, Sector-21, Panchkula  
 Mobile No. : +91-75084 88888  
 e-mail : jaitleyconsultants@gmail.com  
 skjaitley@jaitleyconsultants.com  
 webpage : www.jaitleyconsultants.com